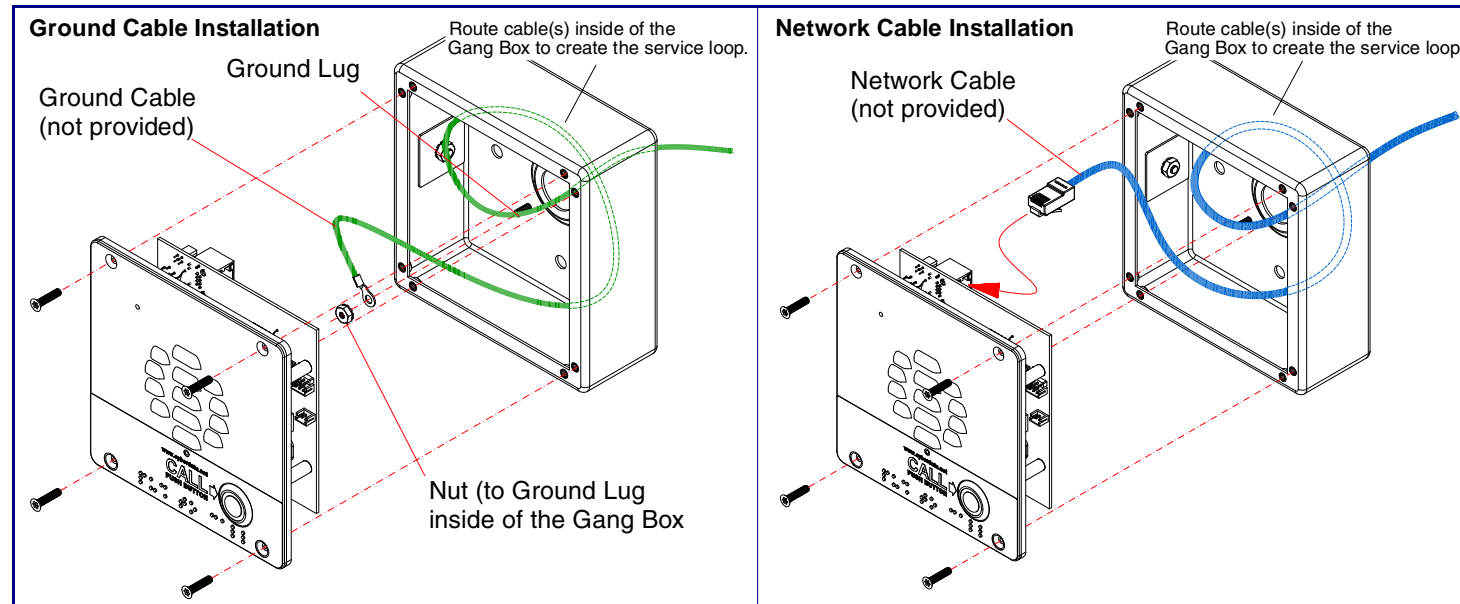
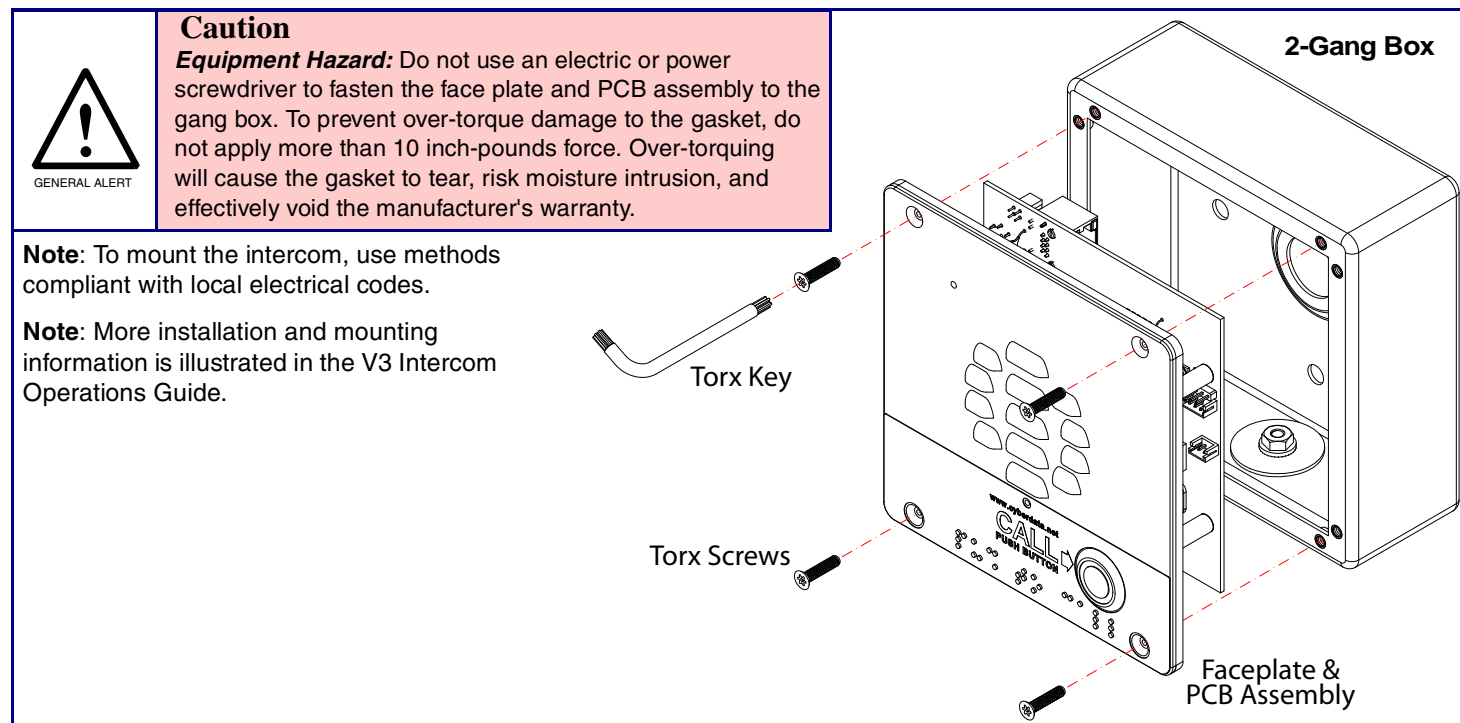


Connecting the V3 Intercom (Service Loop Routing)



Securing the V3 Intercom



Contacting CyberData

Corporate Headquarters

CyberData Corporation
3 Justin Court
Monterey, CA 93940, USA

Phone: 831-373-2601
Fax: 831-373-4193
www.CyberData.net

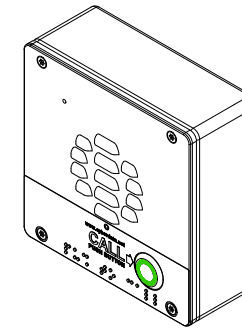
Sales: (831) 373-2601 ext. 334
Support: 831-373-2601 ext. 333
Web: <http://www.cyberdata.net/support/contactsupportvoip.html>
RMA Dept: (831) 373-2601 ext. 136
Email: RMA@CyberData.net
RMA Status: <http://www.cyberdata.net/support/rmastatus.html>

Warranty and RMA information is available at the following website:
<http://www.cyberdata.net/support/warranty/index.html>

VoIP V3 Intercom

SIP Compliant

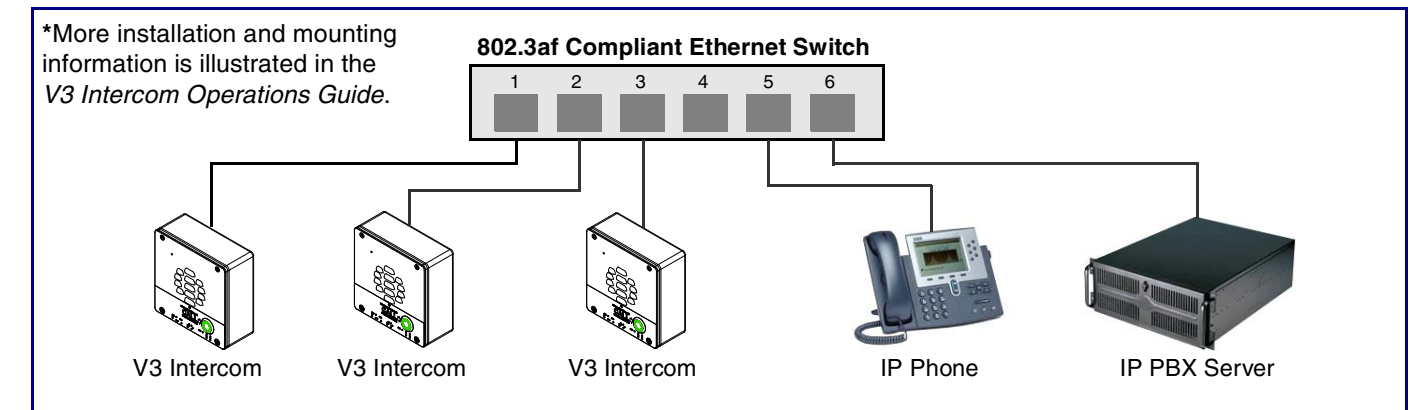
011186



Parameter	Factory Default Setting
IP Addressing	DHCP
IP Address ^a	10.10.10.10
Web Access Username	admin
Web Access Password	admin
Subnet Mask ^a	255.0.0.0
Default Gateway ^a	10.0.0.1

a. Default if there is not a DHCP server present.

Typical System Installation



Getting Started

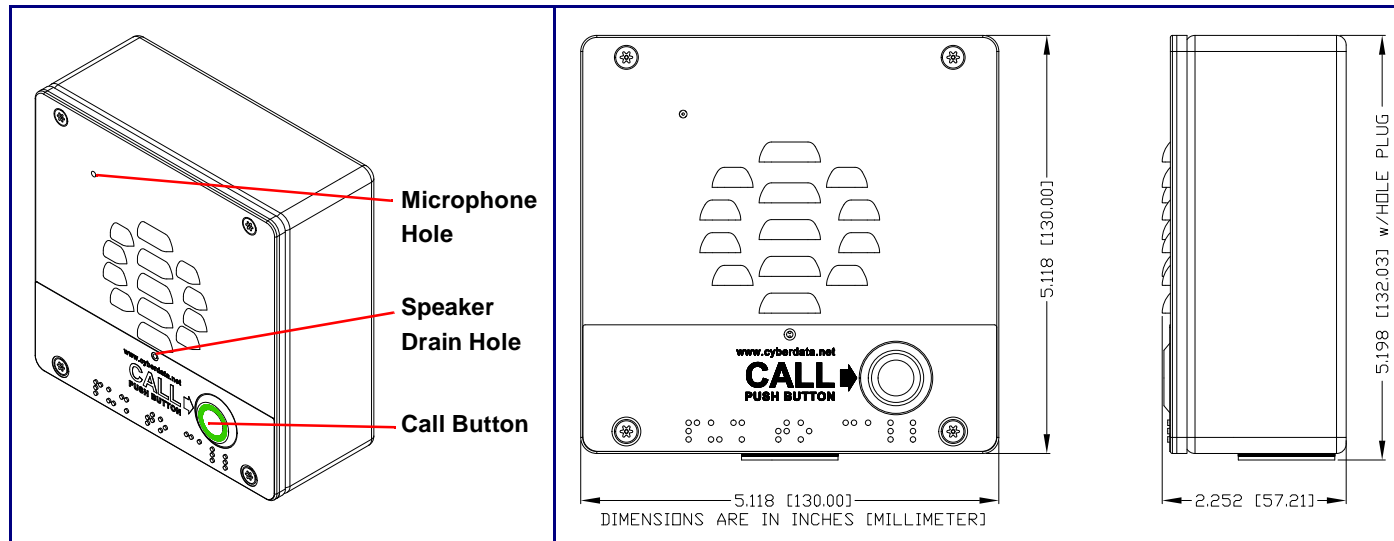
- Download the *Operations Guide* PDF file, from the V3 Intercom **Documentation** web page at: <http://www.cyberdata.net/products/voip/digitalanalog/intercomv3/docs.html>
- Create a plan for the locations of your V3 Intercoms.
- Prior to installation, consult local building and electrical code requirements.
- WARNING: This enclosure is not rated for any AC voltages!**

V3 Intercom Parts

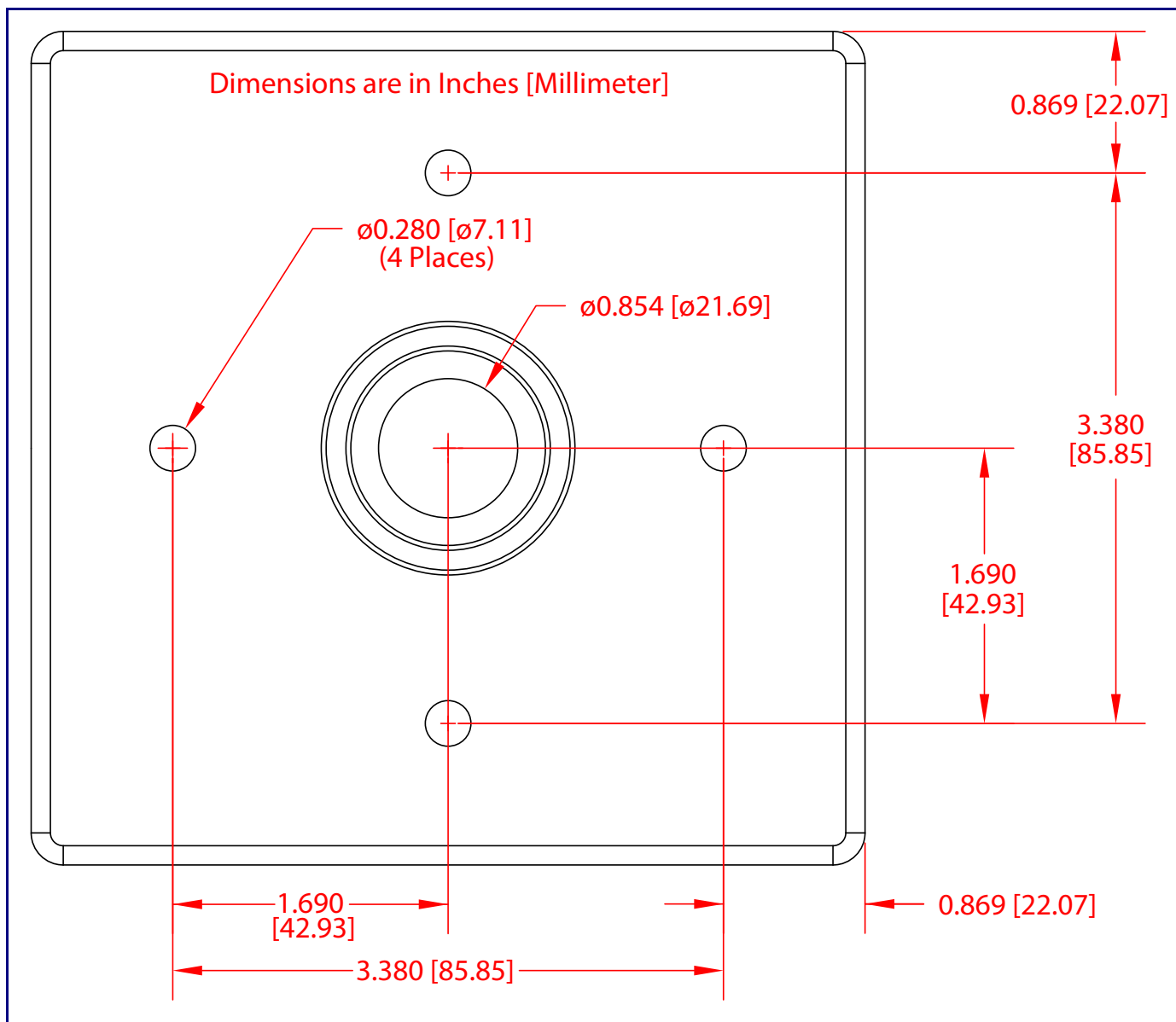
(1) V3 Intercom Assembly 	(1) T-15H Torx Key (4) Security Torx Screw 	Optional Accessories (for gooseneck mounting) (4) Carriage bolt nuts (4) Carriage bolts (4) Carriage bolt washers 	Optional Accessories (1) Spacer for half-inch set conduit connector (1) 531085B hole plug assembly
------------------------------	---	---	---

Features

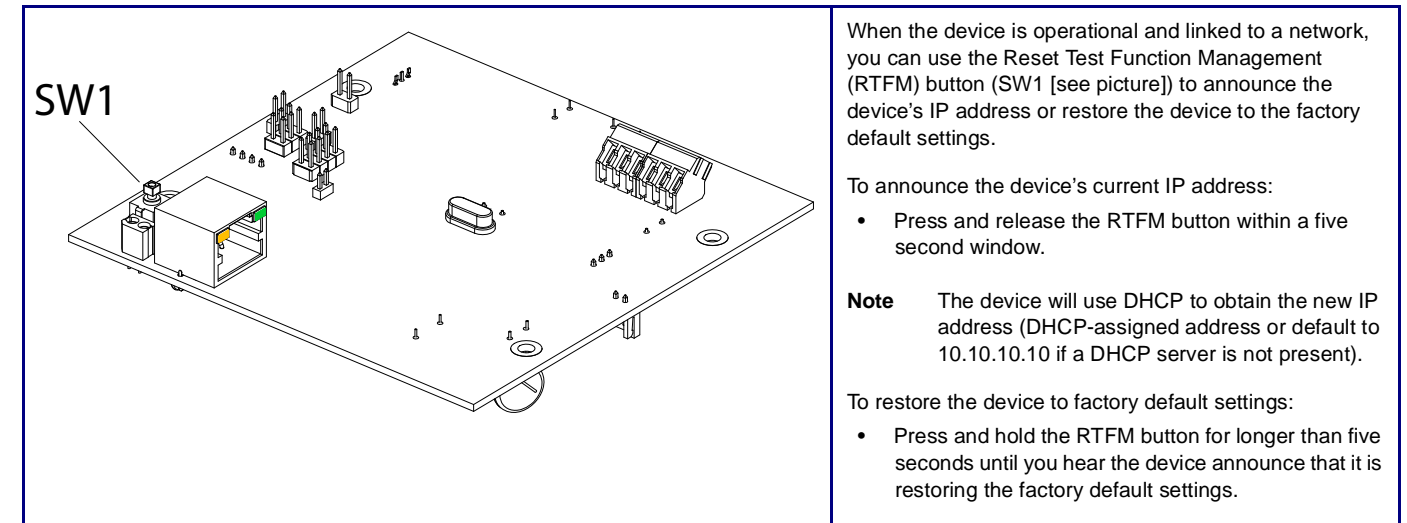
Dimensions (Front and Side View)



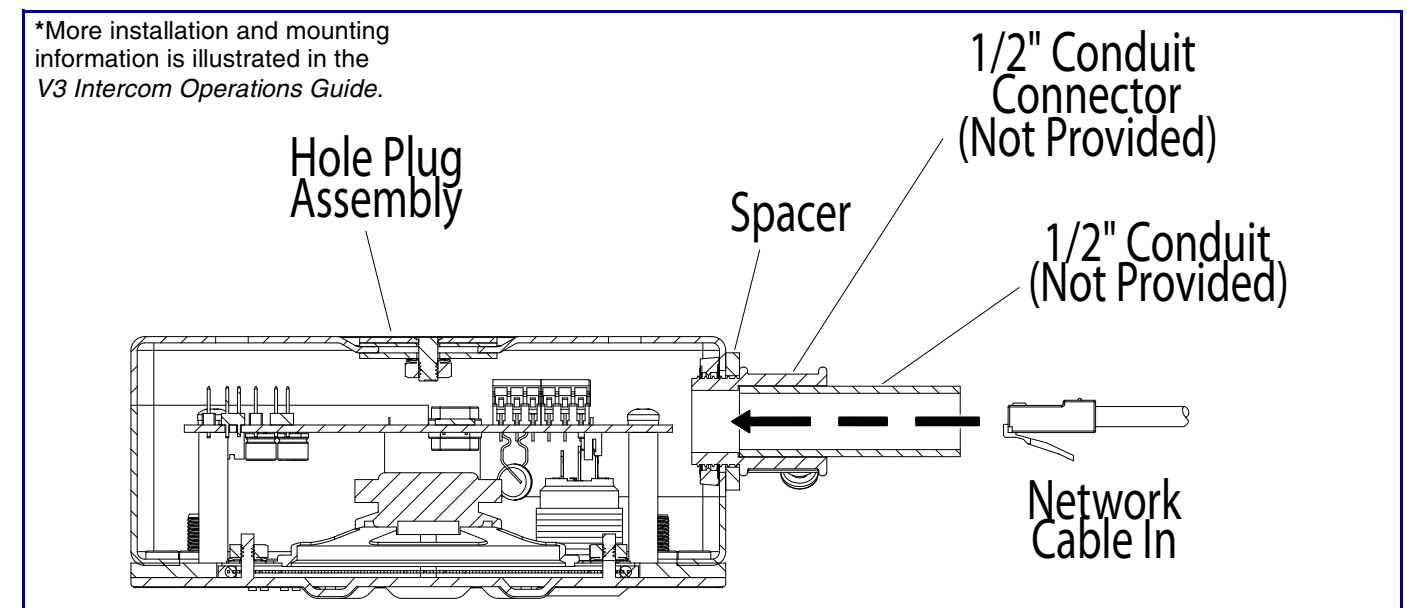
Dimensions (Rear View and Mounting Holes)



RTFM Button



Side Conduit Network Cable Entry Restrictions



Rear Conduit Network Cable Entry Restrictions

