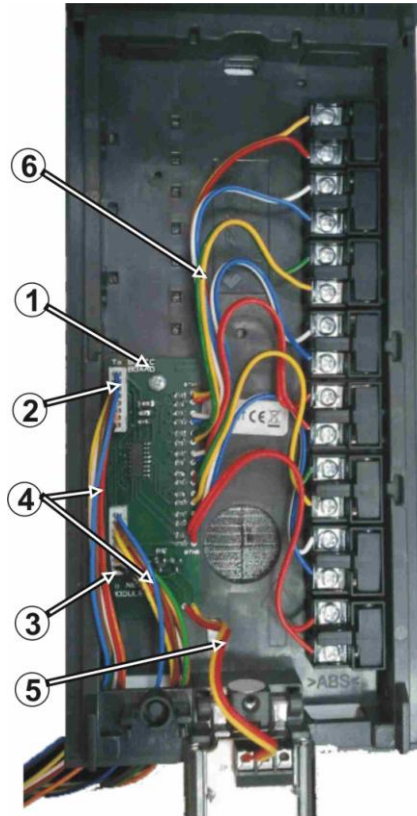


## Connection of expansion module Bell-8

Module Bell-8 is connected to the basic module IP-Bell or the previous module Bell-8 via cable Bell-Kab-8. During connection please remember that the basic module IP-Bell has input and the PCB board Bell-8 (1) has output (2) and input (3). Always connect the output with the input of the previous module.

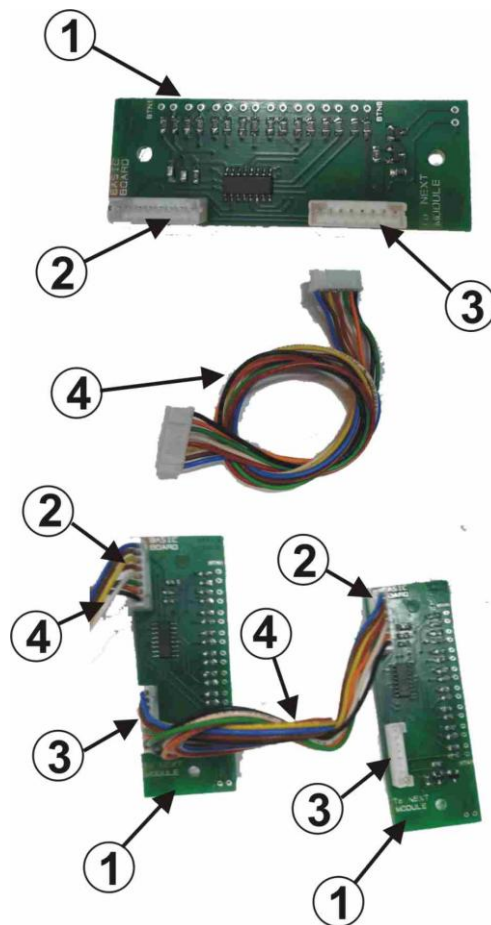


Connection of Bell-8

### Description of module Bell-8:

- 1 – PCB board with electronics
- 2 – output (it is connected to the input of the previous module Bell-8 or the input of IP-Bell)
- 3 – input (it is connected to the output of the following module Bell-8 or if it is the last in the row, it is not connected)
- 4 - cable Bell-Kab-8
- 5 – connection of illumination (pay attention to polarity - plus=A, minus=-)
- 6 – connection of buttons

Accessories of module Bell-8:



Mechanical modifications are based in breaking out of the blinds on appropriate sides - on the right or left side at the bottom of the panel. It is suggested to thread through the cable Bell-Kab-8 before mouting on the wall. Connection into the connectors should be done only after mouting on the wall.

Programming of connection of the panel is not necessary, it is done automatically. Counting of buttons: basic panel IP-Bell has 2 buttons, the following panel Bell-8 follows with buttons No. 3-10, the next one in the row follows with buttons No. 11-18, etc. The code lock is accessible via first ten buttons (numbers 1-0, where 0 is the 10<sup>th</sup> button).