

Push-to-Talk V2 Ceiling Speaker

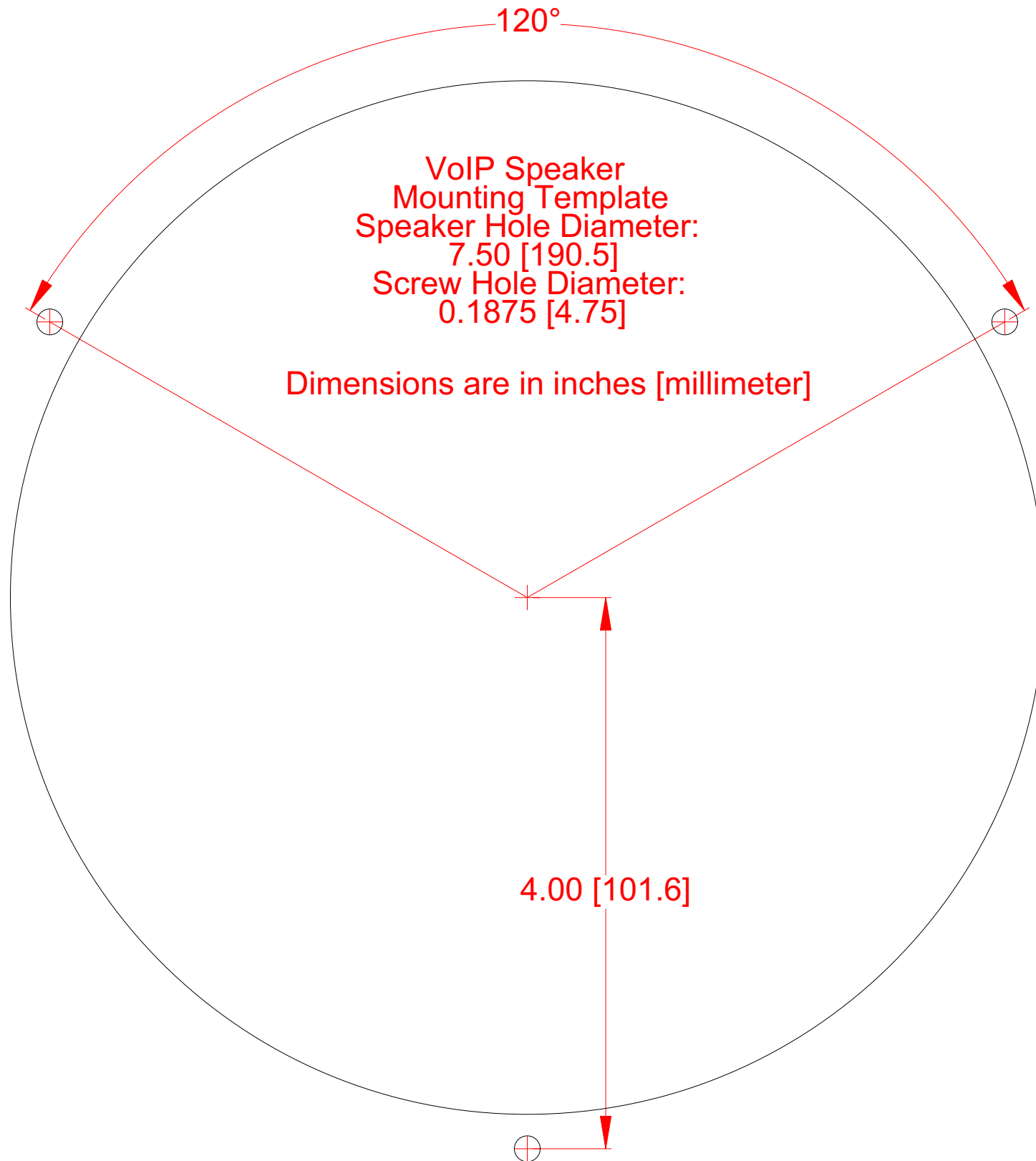
011180, RAL 9002, Gray White, Standard

011181, RAL 9003, Signal White, Optional

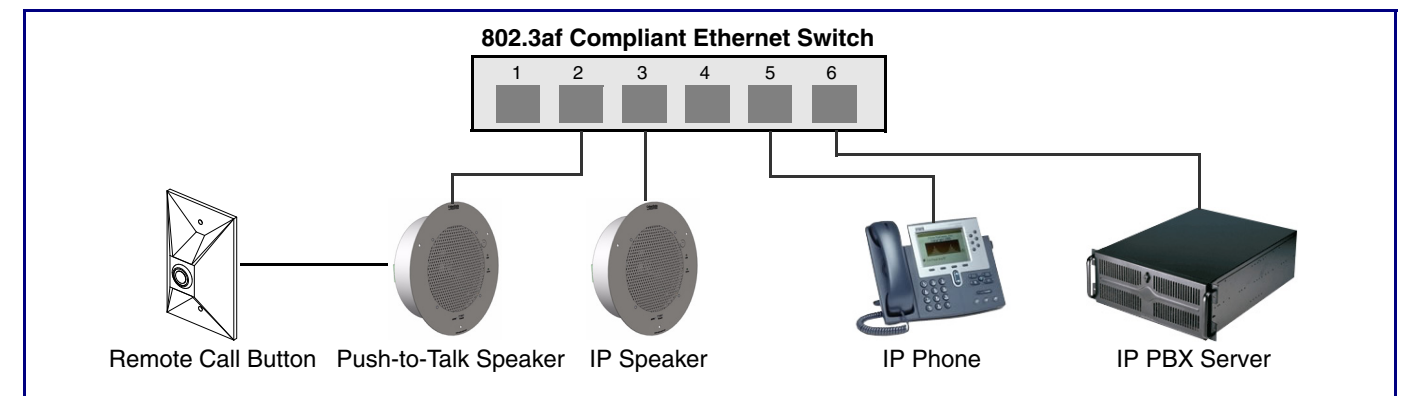


Parameter	Factory Default Setting
IP Addressing	DHCP
IP Address ^a	10.10.10.10
Web Access Username	admin
Web Access Password	admin
Subnet Mask ^a	255.0.0.0
Default Gateway ^a	10.0.0.1

a. Default if there is not a DHCP server present.



Typical System Installation



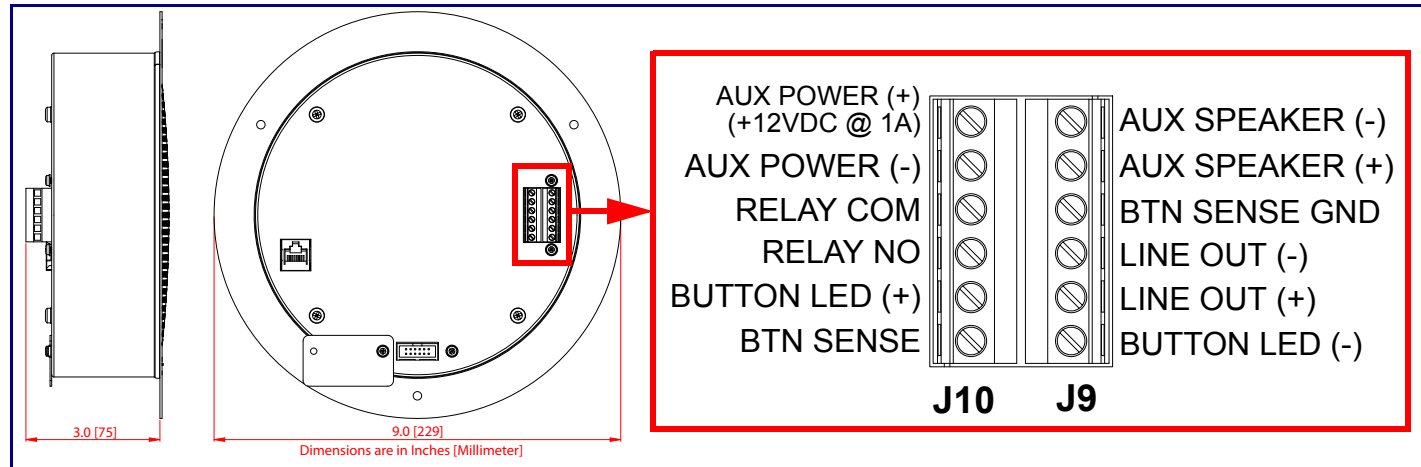
Getting Started

- Download the *Push-to-Talk V2 Ceiling Speaker Operations Guide* PDF file from the **Documentation** page at: <http://www.cyberdata.net/products/voip/digitalanalog/ceilingspkr2ptt/docs.html>
- Create a plan for the locations of your speakers.
- **WARNING:** This product should be installed by a licensed electrician according to all local electrical and building codes.
- **WARNING:** To prevent injury, this apparatus must be securely attached to the floor/wall in accordance with the installation instructions.
- **WARNING:** The PoE connector is intended for intra-building connections only and does not route to the outside plant.
- **WARNING:** The Push-to-Talk Speaker enclosure is not rated for any AC voltages!

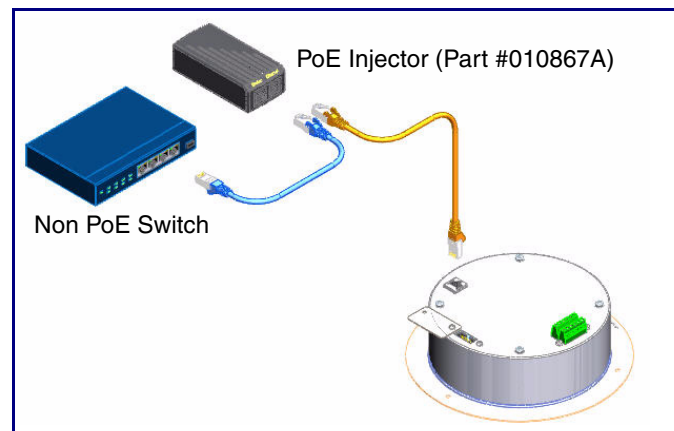
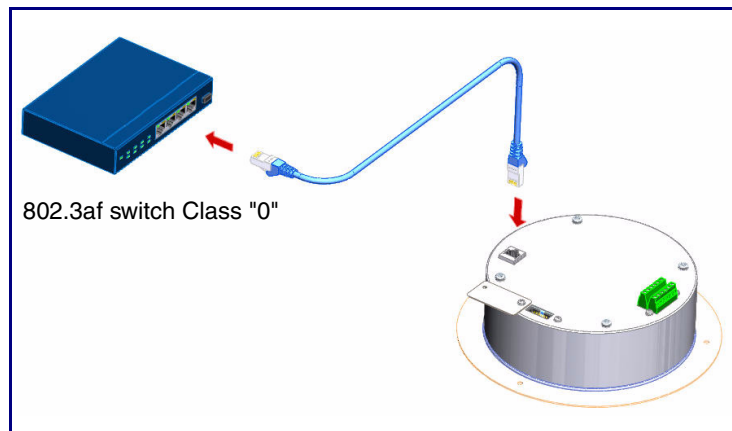
Parts

<p>(1) Speaker Assembly</p> <p>(1) Template</p> <p><i>* See the last page of this document</i></p>	<p>(1) Drop Ceiling Mounting Kit</p> <p>(3) #8 Nylon Thumb Nuts</p> <p>(3) #8 Fender Washers</p> <p>(3) 8-32 x 1 1/4" Mounting Screws</p>	<p>(1) Drywall Mounting Kit</p> <p>(3) Plastic Ribbed Anchors</p> <p>(3) #8 Sheet Metal Screws</p>	<p>(1) Call Button Assembly</p> <p>(1) Wall Mounting Kit</p> <p>(2) Mounting screws</p>
--	--	---	---

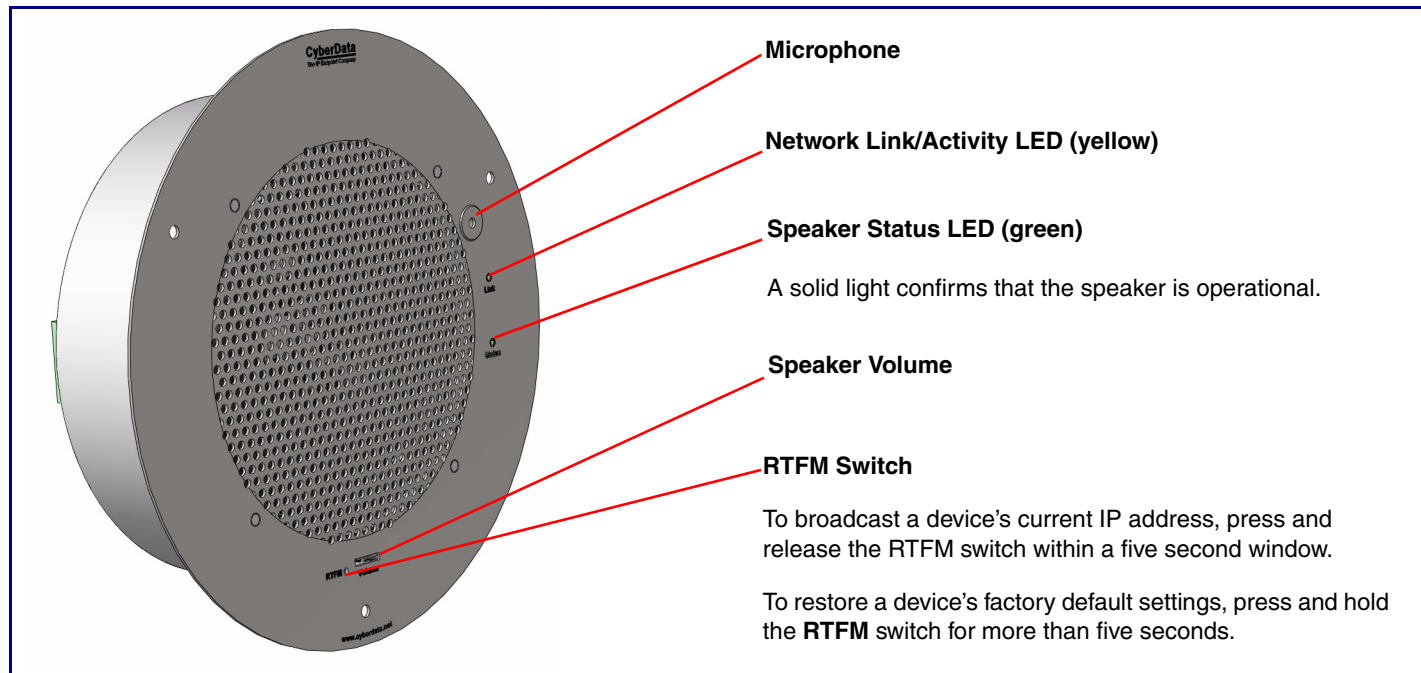
Dimensions and Connections



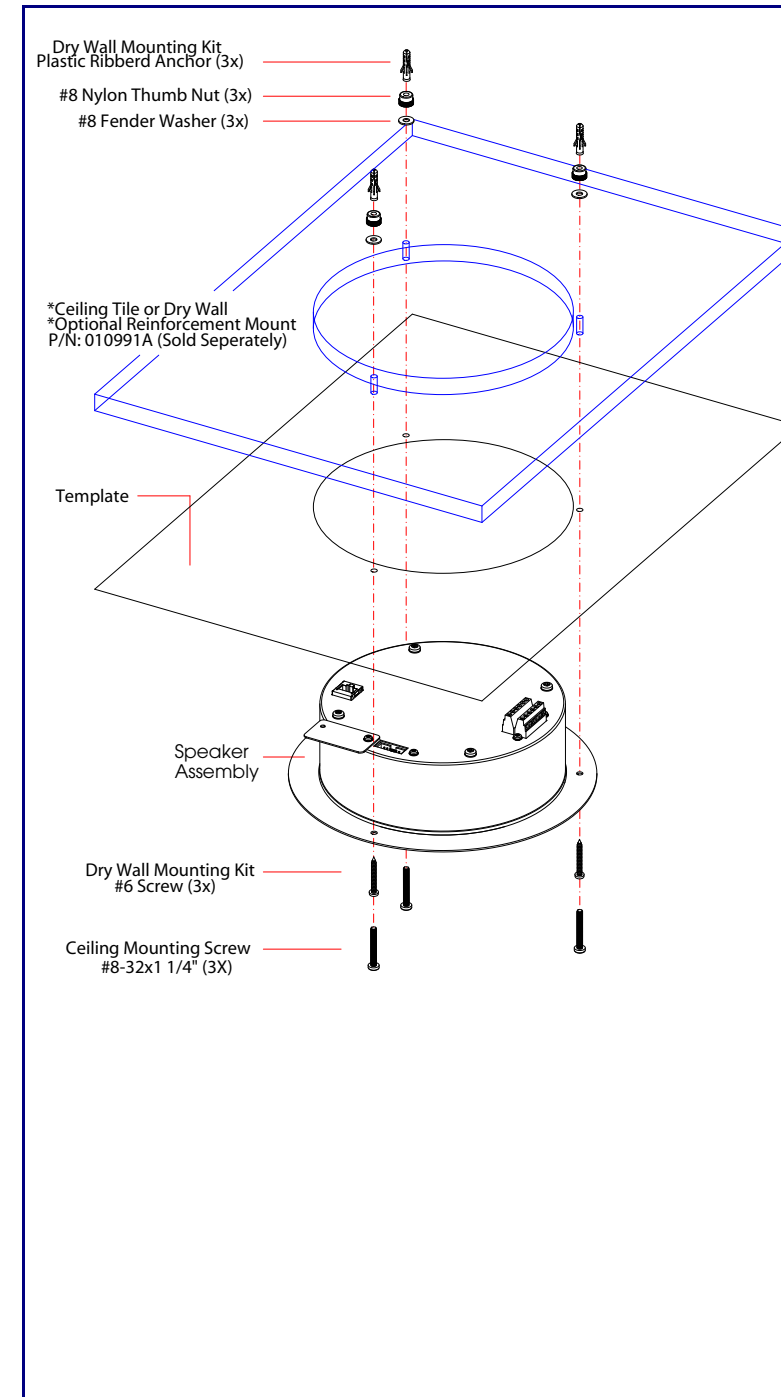
Connecting Power



Features



Mounting



Tools Required for Installation:

- (1) Sheetrock saw or (1) Drywall cutter
- (1) #2 Phillips Screwdriver or (1) #2 Phillips Screwdriver Hex Bit

To mount a speaker:

- Use the **TEMPLATE** on the back of this document to cut a hole in the wall or ceiling, and prepare holes for the screws.
- Plug the Ethernet cable into the speaker assembly. The yellow light verifies the network connection.
- For drop ceiling mounting, position the **IP SPEAKER ASSEMBLY** in the ceiling so that its screw holes align with those you prepared.
- For drywall mounting, place the three **PLASTIC RIBBED ANCHORS** in the holes you prepared, and position the **IP SPEAKER ASSEMBLY** over them, aligning the screw holes in the assembly with the anchors.
- For drop ceiling mounting*, use the three **8-32 x 1 1/4" MOUNTING SCREWS**, **#8 NYLON THUMB NUTS**, and **#8 FENDER WASHERS** to secure the speaker.

For drywall mounting, use the three **#8 SHEET METAL SCREWS** to secure the speaker.

* For weak ceiling tile, CyberData offers a reinforcing mount (CyberData part number 010991A).

Contacting CyberData

Corporate Headquarters

CyberData Corporation
3 Justin Court
Monterey, CA 93940, USA

Phone: 831-373-2601
Fax: 831-373-4193
www.CyberData.net

Sales: (831) 373-2601 ext. 334
Support: 831-373-2601 ext. 333
Web: <http://www.cyberdata.net/support/contactsupportvoip.php>
RMA Dept: (831) 373-2601 ext. 136
Email: RMA@CyberData.net
RMA Status: <http://www.cyberdata.net/support/rmastatus.html>

Warranty information is available at:
Web: <http://www.cyberdata.net/support/warranty/index.html>

Mounting Options—Metal Bracket

To be installed and or used in accordance with the appropriate electrical codes and regulations.

Wall Plate Mounting Bracket (Metal)
Tools Required: Wall board saw, Pliers
Instructions:

1. Use the inside area of the bracket to trace the hole cut onto the wall.
2. Using a wall board saw or matt knife, cut along the stencil line.
3. Place bracket against the wall opening.
4. Bend tabs up and down against the inside wall to secure the bracket.
5. Place the optional gasket over the metal bracket.
6. Mount the flush mount wall plate to the bracket.

Mounting Options—Plastic Bracket

To be installed and or used in accordance with the appropriate electrical codes and regulations.

Wall Plate Mounting Bracket (Plastic)
Tools Required: Wall board saw, Philips screwdriver
Instructions:

1. Use the inside area of the bracket to trace the hole cut onto the wall.
2. Using a wall board saw or matt knife, cut along the stencil line.
3. Place bracket through the wall opening.
4. Tighten screws to pull Flagnuts against the inside wall to secure the bracket.
5. Place the optional gasket over the plastic bracket.
6. Mount the flush mount wall plate to the bracket.

Contacting CyberData

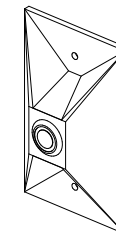
Corporate Headquarters

CyberData Corporation
 3 Justin Court
 Monterey, CA 93940, USA

Phone: 831-373-2601
 Fax: 831-373-4193
 www.CyberData.net

Sales: (831) 373-2601 ext. 334
 Support: 831-373-2601 ext. 333
 Web: <http://www.cyberdata.net/support/contactsupportvoip.html>
 RMA Dept: (831) 373-2601 ext. 136
 Email: RMA@CyberData.net
 RMA Status: <http://www.cyberdata.net/support/rmastatus.html>

Warranty information is available at:
 Web: <http://www.cyberdata.net/support/warranty/index.html>

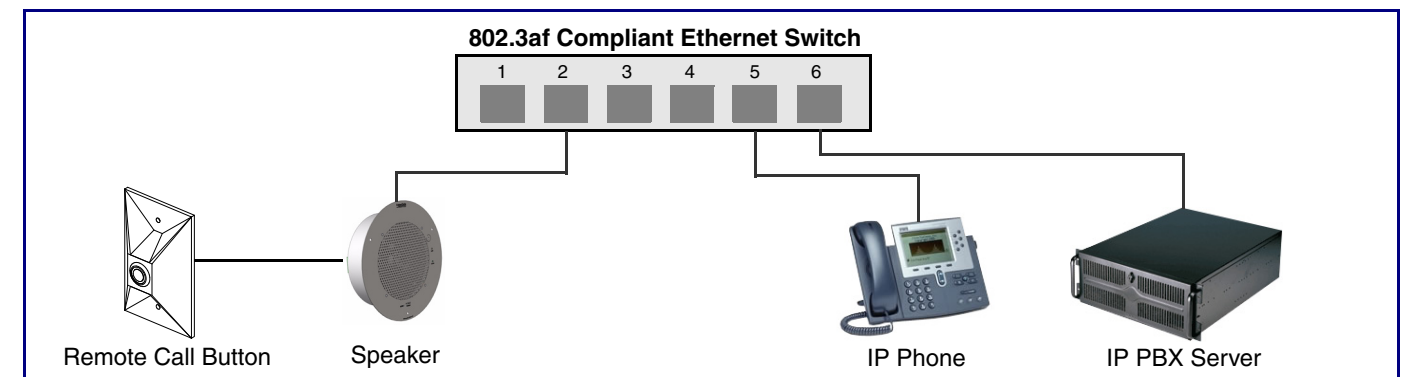


As an option to the CyberData V2 speaker, the V2 Remote Call Button enables calls to the V2 Speaker that can be initiated or answered from a remotely-mounted switch.

When enabled through the Web interface, if the Remote Call Button is pressed, the speaker would initiate a SIP call to a predetermined extension.

When the V2 Speaker is called from a remote phone and Auto-Answer is not enabled within the unit's Web interface, the LED on the Remote Button will blink. The call will be answered when the button is pressed.

Typical Push-to-Talk Speaker System Installation



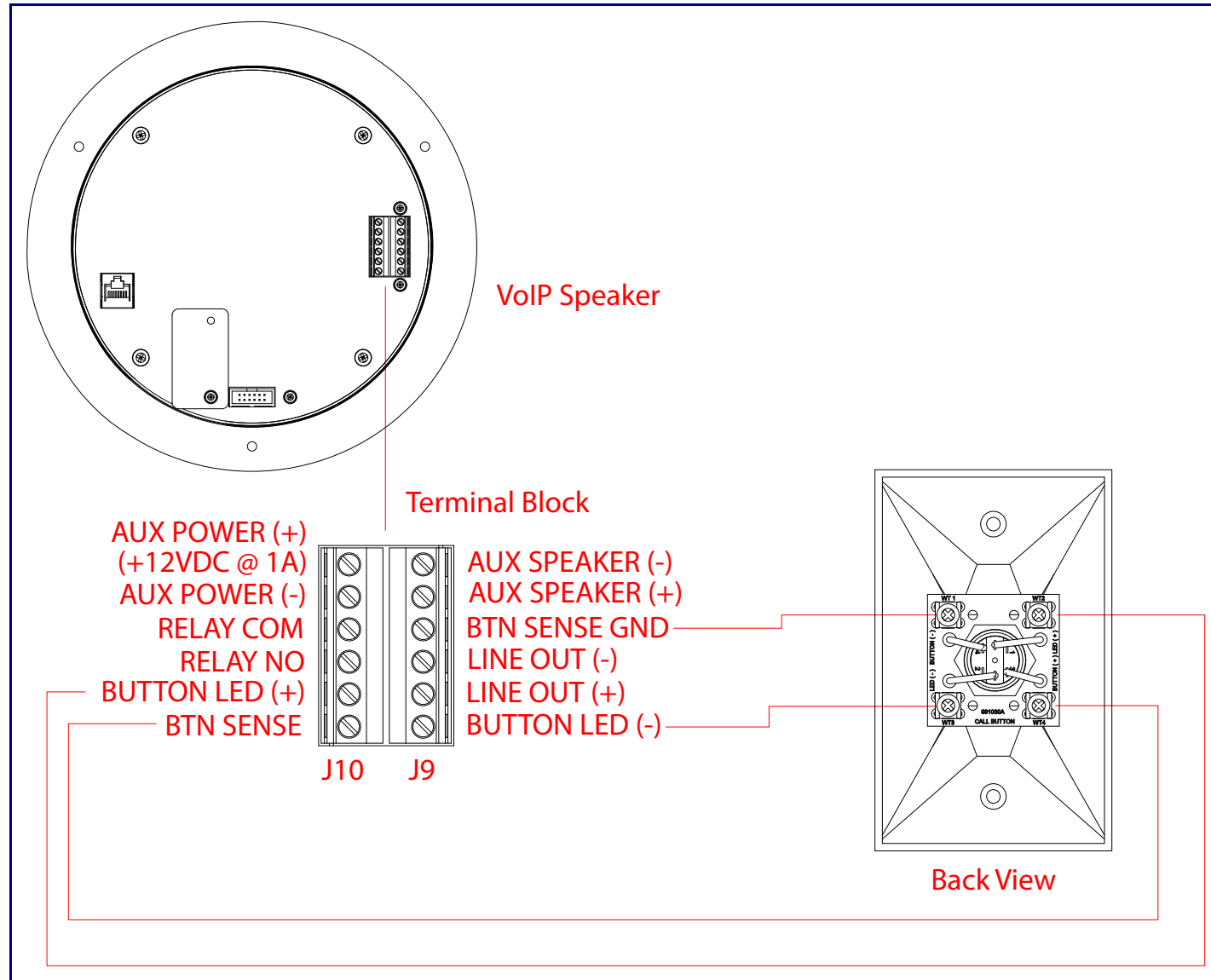
Getting Started

- Create a plan for the locations of your Push-to-Talk Speakers.
- Prior to installation, consult local building and electrical code requirements.
- **WARNING: This enclosure is not rated for any AC voltages!**

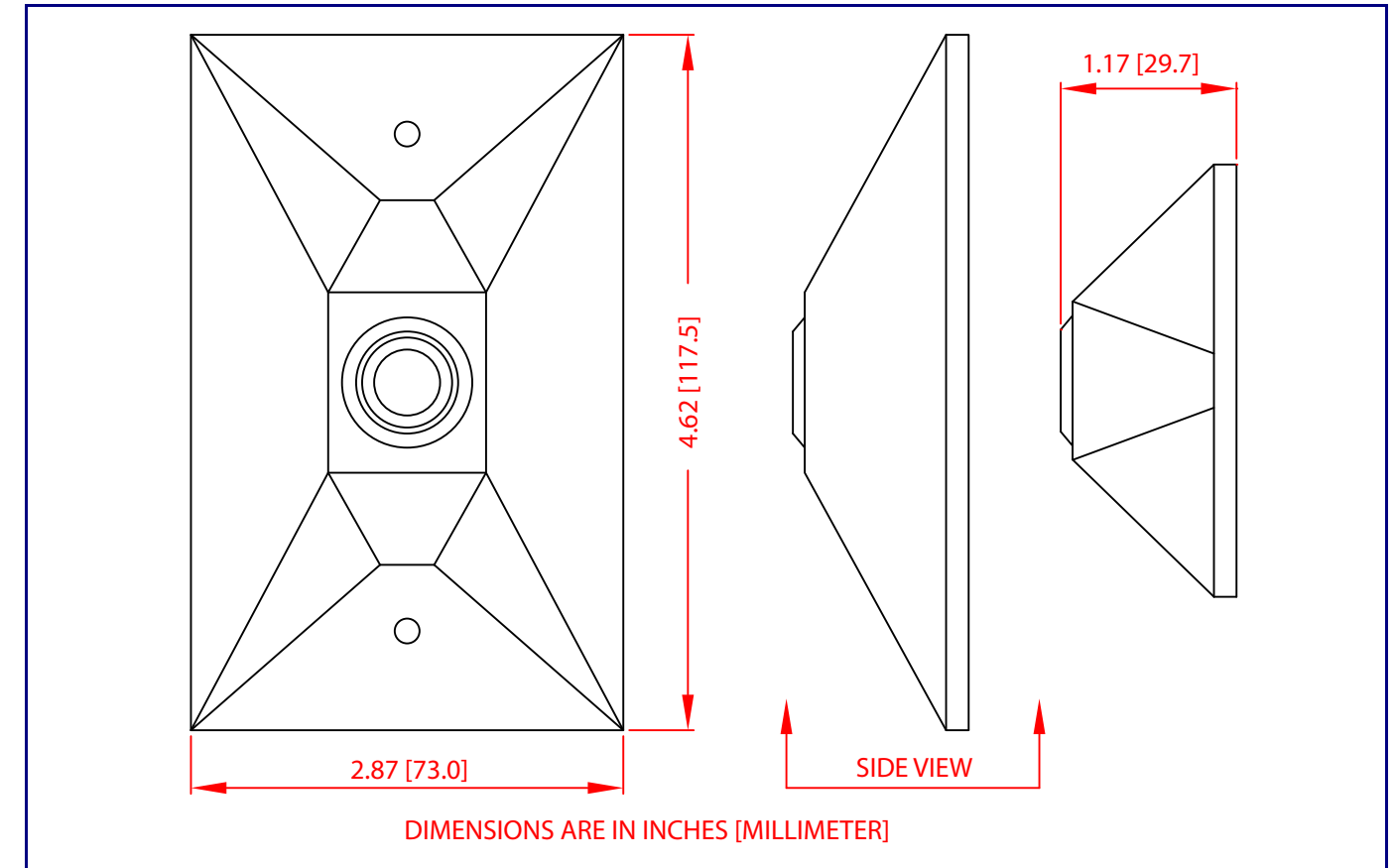
Parts

<p>(1) Call Button Assembly</p> <p>(1) Wall Mounting Kit (2) Mounting screws</p>	<p>Optional Parts (Not Included)</p> <p>(1) Optional Gasket</p> <p>(1) Optional One-Gang, Low Voltage, Mounting Bracket (Metal)</p>	<p>(1) Optional One-Gang Box (Metal)</p> <p>(1) Optional One-Gang, Low Voltage, Mounting Bracket (Plastic)</p>
---	--	--

Connections



Dimensions



Mounting Options—One-Gang Box (Metal or Plastic)

