

## Wall Mount Adapter

The Wall Mount Adapter enables the CyberData VoIP Ceiling Speaker for indoor wall mounting. The front plate is angled for downward sound dispersion.

### Ordering information:

When ordering CyberData's VoIP Ceiling Speaker (PN: 011098 [RAL 9002, Gray White] or 011099 [RAL 9003, Signal White]) with the Wall Mount Adapter (PN: 011151 [RAL 9002, Gray White] or 011152 [RAL 9003, Signal White]), please specify both items by part number.

### Features:

- Easy wall or ceiling installation
- Mounting kit included
- Electrogalvanized steel construction
- RoHS compliant
- Keyhold for easy installation
- Top and bottom cable channels
- Two years warranty



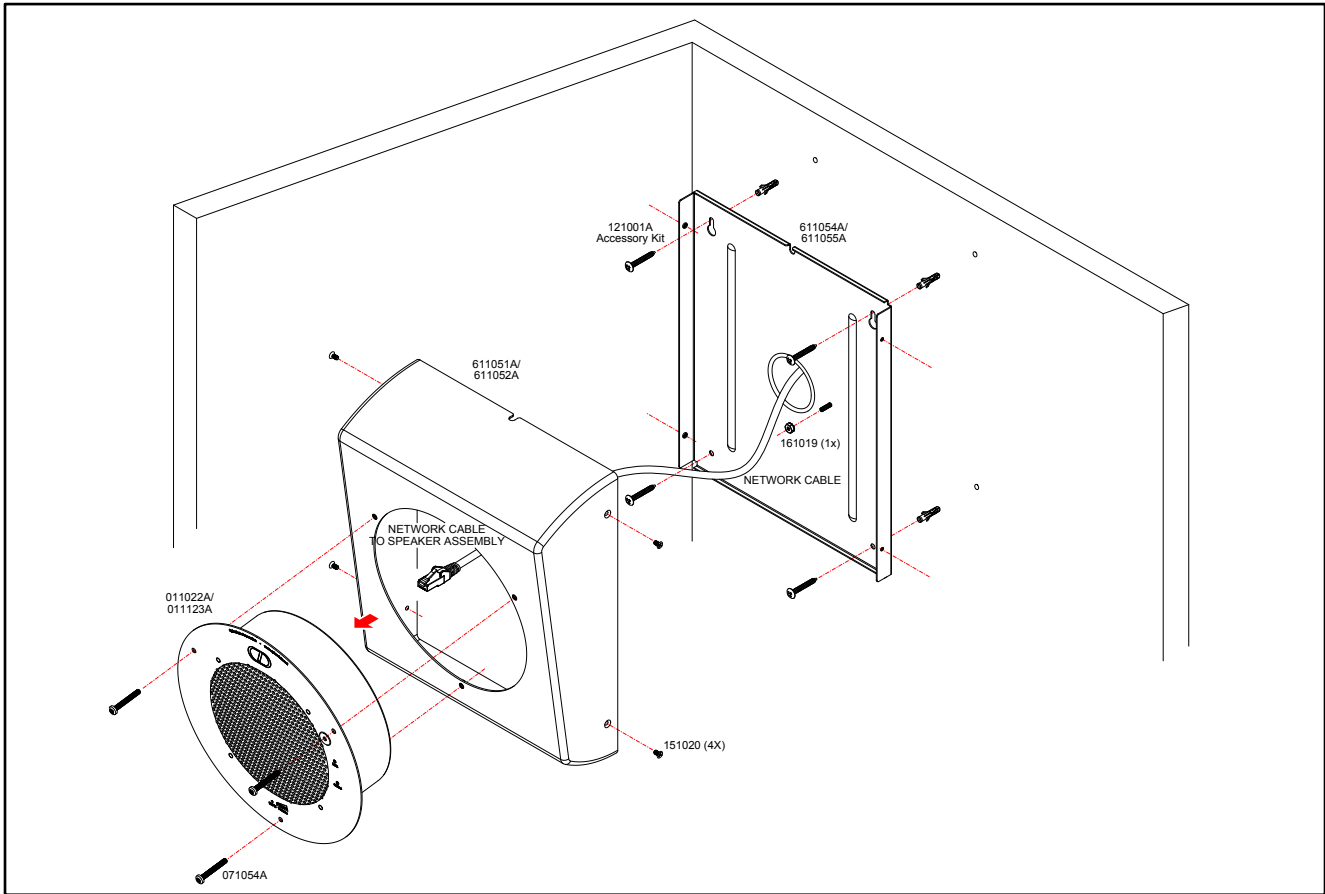
### Specifications

Part Number	Boxed Weight
*011151, Standard Color, RAL 9002, Gray White	5.8 lbs.
011152, Optional Color, RAL 9003, Signal White	5.8 lbs.

\*This number replaces the 010882 number.

# Wall Mount Adapter

## Exploded View



## Overall Dimensions

