

# SIP Paging Adapter

The SIP Paging Adapter is a VoIP endpoint that interfaces analog paging systems with SIP and Multicast-based audio sources. The SPA (SIP Paging Adapter) can be configured to support two separate SIP extensions. SIP extension one passes audio through to the analog output spoken from the caller's handset. When called, SIP extension two plays a bell audio that can be used as a night ringer when configured in a night ring group.

CyberData has maintained one of the most comprehensive lists of IP PBX servers certified to work with CyberData VoIP Products.

## Features

- Compatible with most analog amplifiers in the market
- Supports audio prioritization, including 10 multicast paging groups
- Loud/Night Ringer function - second SIP extension
- 9 user-uploadable page messages
- Supports delayed pages with call buffering
- Support for security code to prevent unwanted SIP calls
- Can receive pages directly from Poly phones as well as other devices that can send standard multicast
- Sense input capable of generating events or SIP calls
  
- Built-in diagnostics
- Line-in for background music
- Line-out connector
- Remote amp fault sensor
- Audio controlled relay/remote amplifier enable
- DTMF entries for analog paging zones
- Rack mountable
  
- HTTP command interface
- HTTPS or HTTP web based configuration. HTTPS is enabled by default.
- Autoprovisioning via HTTPS, HTTP or TFTP
- Configurable event generation for device health and status monitoring
- TLS 1.2 enhanced security for IP Endpoints in a local or cloud-based environment
- 802.11q VLAN tagging
- Support for Cisco SRST resiliency

## Related Products:



011146 SIP Paging Server  
with Bell Scheduler



011171 SIP Paging Zone Controller  
with 4-Port Audio Out



011093 1U Server Rack Mount



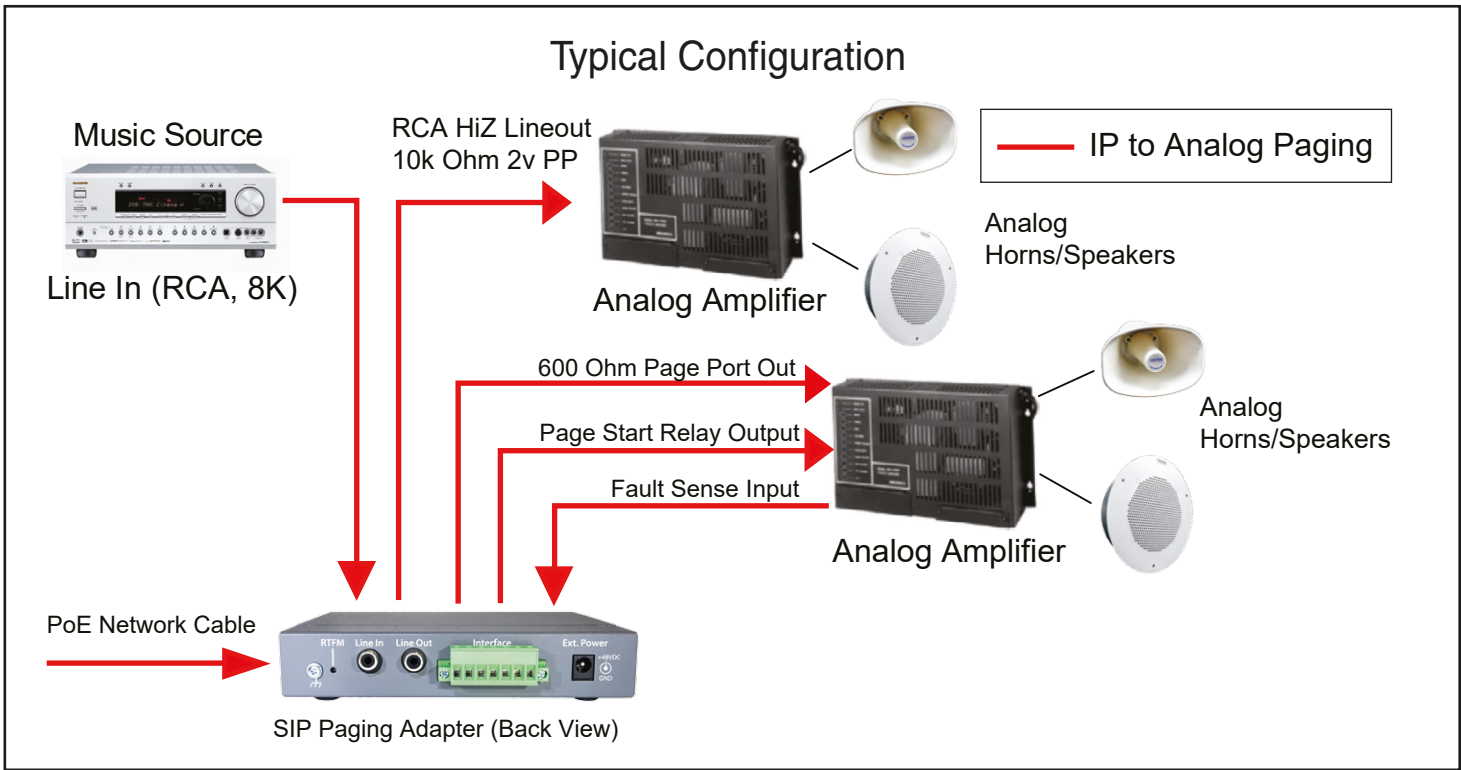
## Specifications

Ethernet I/F	10/100 Mbps
Protocol	SIP RFC 3261 Compatible
Power Input	PoE 802.3af or 48 VDC
<b>Line In:</b>	
Input Signal Amplitudes	2.0 VPP maximum
Input Impedance	10k Ohm
<b>Line Out:</b>	
Output Signal Amplitudes	2.0 VPP maximum
Output Level	+2dBm nominal
Total Harmonic Distortion	0.5% maximum
Output Impedance	10k Ohm
Page Port Output	Balanced 600 Ohm 5VPP
Payload Types	G.711 a-law, G.711 $\mu$ -law, G.722, and G.729
Network Security	TLS/SSL 1.2
Operating Range	Temperature: -40° C to 55° C (-40° F to 131° F) Humidity: 5-95%, non-condensing
Storage Temperature	-40° C to 70° C (-40° F to 158° F)
Storage Altitude	Up to 15,000 ft. (4573 m)
Dimensions*	6.11 inches [155.19 mm] Length 4.05 inches [102.87 mm] Width 1.15 inches [29.21 mm] Height
Weight	1.2 lbs. [.54 kg]
Boxed Weight	1.8 lbs. [.82 kg]
Compliance	UL 62368-1, RoHS Compliant, FCC; Part 15 Class A, IEEE 802.3 Compliant; Reference Number for UL: E129569 Vol 4 Sec 1
Warranty	2 Years Limited
Part Number	011233

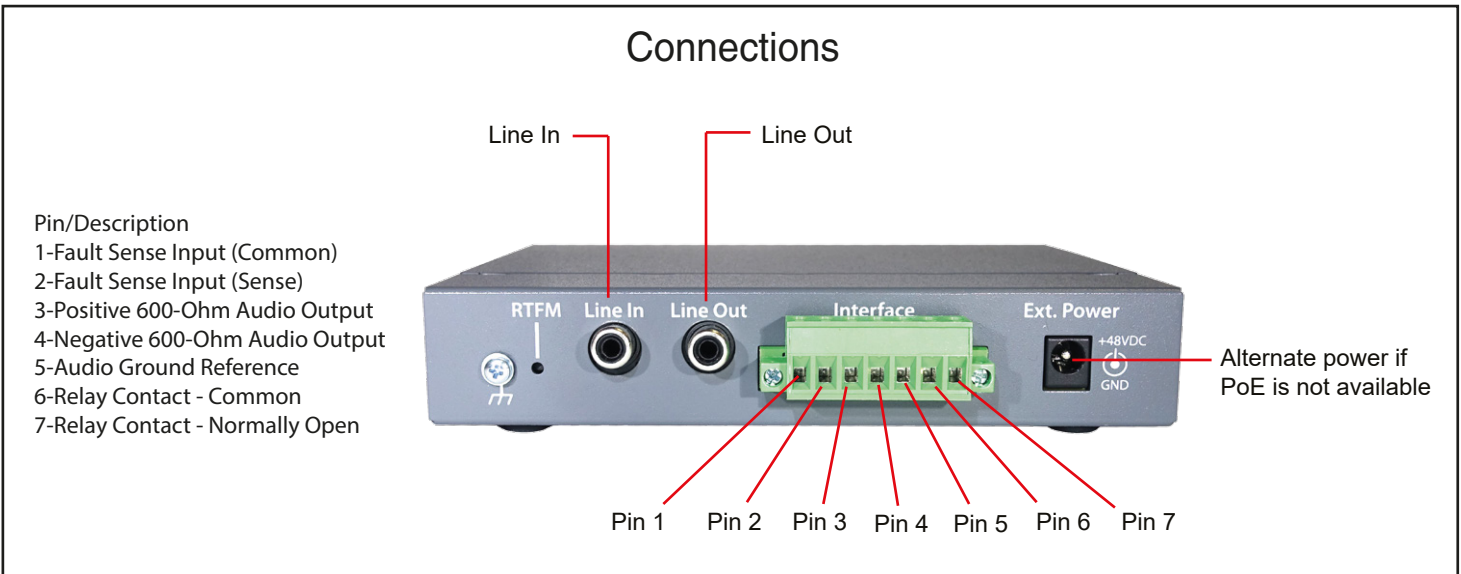
\*Dimensions are measured from the perspective of the product being upright with the front of the product facing you.

# SIP Paging Adapter

## Typical Configuration



## Connections



# SIP Paging Adapter

