



# VoIP Clock Kit

The Clock Kit enables the CyberData V2 VoIP Ceiling Speaker to be upgraded to a highly visible public address device with a time display.

The large display characters are easily read and adjust for ambient light conditions. Time sync is performed by NTP and a built-in real-time clock.

Power is supplied by the CyberData V2 Speaker from a single PoE connection.



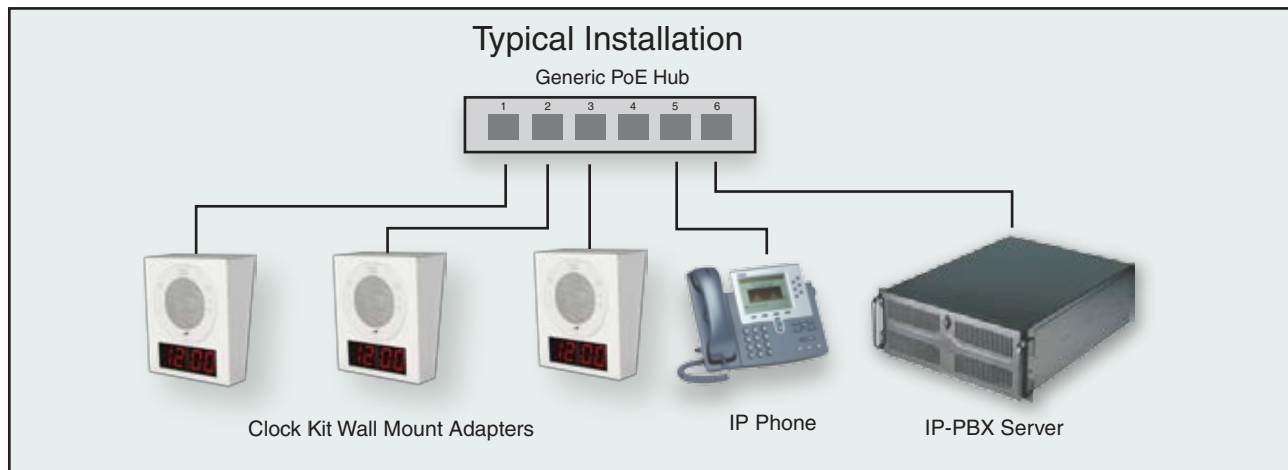
**Features:**

- Easy wall or ceiling installation
- Mounting kit included
- Electrogalvanized steel construction
- RoHS compliant
- Keyhold for easy installation
- Top and bottom cable channels
- 2.3-inch sized digits
- 12 or 24 hour format
- NTP time source
- Battery backed up real-time clock
- Auto ambient light adjustment
- Two years warranty

**Ordering Information**

The VoIP Clock Kit can be purchased as either the Clock Kit Wall Mount Adapter (PN: 011100) or the Clock Kit Flush Mount Adapter (PN: 011106). The VoIP Ceiling Speaker, V2 Speaker or Talk-Back Speaker must be purchased separately.

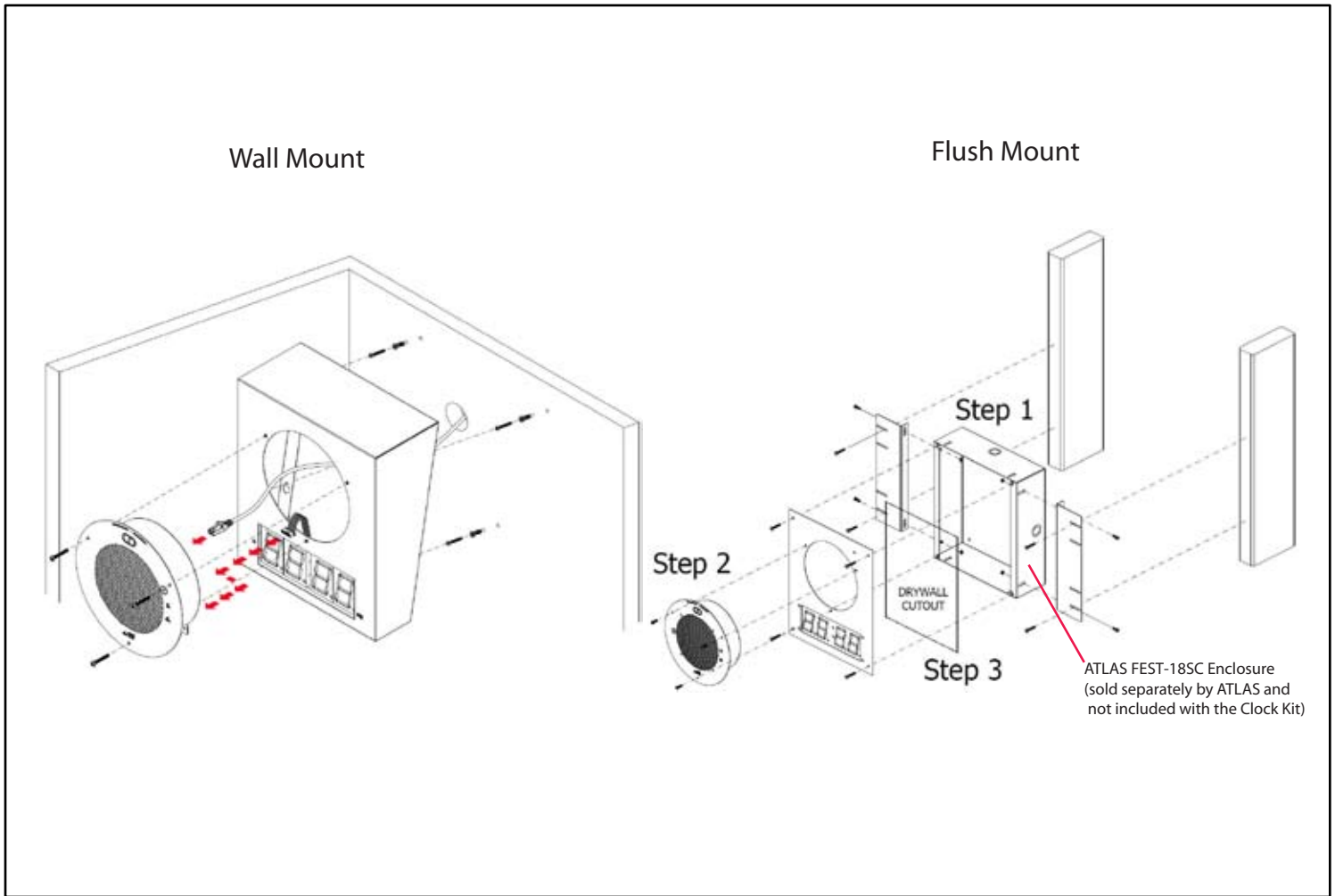
Clock Kit	
Part Number	Boxed Weight
*011100, Wall Mount, Standard Color, RAL 9002, Gray White	5.8 lbs.
011101, Wall Mount, Optional Color, RAL 9003, Signal White	5.8 lbs.
*011106, Flush Mount, Standard Color, RAL 9002, Gray White	4.4 lbs.
011107, Flush Mount, Optional Color, RAL 9003, Signal White	4.4 lbs.
*These numbers replace the 011023 (Wall) and 011024 (Flush) numbers.	





# VoIP Clock Kit

## Exploded View



## Overall Dimensions

