



SIP Cordless Phone System

Very Convenient Phone System for IP-Centrex/Hosted Services and Open source PBX users.

Key Features

- Support for 3 simultaneous network conversations
- CODEC: G.711a-law / G.711μ-law / G.722(wideband) / G.729a / G.726(32K)
- DECT radio technology
- 2.1" Large LCD with white back light on cordless handset
- Handset call button with status indicator on base unit*1
- Up to 6 DECT cordless handsets
- Support for up to 8 SIP registrations (e.g. up to 8 DID lines or extensions)
- Ethernet pass-through port*1
- Hands-free speaker phone on base unit*1 and cordless handset
- Wall mountable base unit*2

Features for KX-TPA50*3 (additional handset)

- 2.1" Large LCD with white back light on cordless handset
- Bright message waiting indicator
- Soft keys
- 100 phone book memory
- 10 Last dialed number
- Local or network intercom
- DID specific ring tones
- 10 days stand-by and 5 hour talk time

Responding to IP-Centrex/Hosted PBX Services and Asterisk / Switchvox*4

This system responds to [IP-Centrex/Hosted PBX Services]. Conveniently, no need to set up a system telephone at every base. This system also enables you to use a range of convenient services provided by the carrier such as Call Forward, Voice Mail etc. Also, this system can be used as a wireless terminal for widely-known Asterisk/Switchvox and so the uses of this system have become wider and wider.

Support for 3 simultaneous network conversations

This splendid system enables you to conveniently use three different outside lines at the same time. Even if one of your coworkers is talking over this system now or even if you haven't signed up more than one outside lines, you can make a call using this system. This system saves you any labor or costs of signing up several different outside lines and also saves you any trouble of managing different outside lines. Call status is displayed on the main phone and its cordless phone for your easy check.

G.711a-law / G.711μ-law / G.722(wideband) / G.729a / G.726(32K) used as CODEC

This system uses G.711a-law / G.711μ-law / G.722(wideband) / G.729a / G.726(32K) as its codec. Making the most use of its bandwidth, this codec is designed to make an efficient data communication. Therefore, your partner's voice and yours are both reproduced so clearly that you can feel as if you were talking to your partner face to face if both of the talkers use SIP Cordless Phone.

DECT radio technology

DECT Cordless Handset is used as the handset of its sub-phone. Unlike before, there is no need for you to connect a LAN cable with every your telephone. Worldwide-reputed Panasonic's handset, which has a large white LCD, Calling Status Display Function, etc., is user-friendly designed.

Up to 6 DECT cordless handsets

You can use up to six (6) DECT Cordless Handsets depending on your needs. This system comes with one cordless handset when delivered to you. You can use up to six (6) DECT Cordless Handsets if you need them. Please contact us for details.

Supporting for up to 8 SIP registrations (e.g. up to 8 Direct Inward Dialing Lines or Extensions)

SIP Cordless Phone System allows you to have up to eight (8) phone numbers. You can set up in several ways: for example, you can set the phone number for each handset. Or you can group the handsets by group setting and restrict incoming calls to specific handsets. Handsets if you need them. Please contact us for details.

• These functions depends on environment of network and Internet service provider.

*1 This function is available with KX-TGP550 only.

*2 This function is available with KX-TGP500 only.

*3 One handset is included with KX-TGP550/500.

*4 "Digium", "Asterisk", "Switchvox" and the Digium and Asterisk logos are registered trademarks or trademarks of Digium, Inc.

Specifications

| Feature | KX-TGP550 | KX-TGP500 |
|---|-----------|-----------|
| VoIP Support | | |
| IETF SIP version 2(RFC3261 and companion RFCs) | ● | ● |
| BroadWorks R15 / BroadSoft | ● | ● |
| Asterisk*1 | ● | ● |
| Voice Codec | | |
| G.711a-law / G.711μ-law / G.722(wideband) / G.729a / G.726(32K) | ● | ● |
| Network Interface | | |
| 10 / 100 base-T auto MDI / MDIX Ethernet LAN port | 2 | 1 |
| Provisioning | | |
| HTTP / HTTPS / FTP / TFTP and local / remote WEB configuration | ● | ● |
| QoS Support | | |
| DSCP | ● | ● |
| Static VLAN | ● | - |
| TOS | ● | ● |
| Keys and Indications | | |
| Menu driven user interface | ● | ● |
| Line status | ● | - |
| Direct handset call buttons | ● | ● |
| Message waiting indicator on the base unit | ● | - |
| RF-System | | |
| US-DECT 1.92GHz - 1.93GHz (for USA and Canada) | ● | ● |
| EU-DECT 1.88GHz - 1.90GHz | ● | ● |
| Phone features | | |
| Multiple Handset | 6 | 6 |
| Multiple registration support | 8 | 8 |
| Simultaneous voice calls | 3 | 3 |
| 2.5mm Headset Jack*2 | ● | ● |
| Grouping Handset : Handset select for receiving call | ● | ● |
| Handset and Number select for making call | ● | ● |
| Redial | ● | ● |
| Do Not Disturb | ● | ● |
| Anonymous Call (CLIR) | ● | ● |
| Anonymous Call Rejection | ● | ● |
| Busy Lamp Field (BLF) for handsets | ● | - |
| Calling party name and number presentation (CLIP, CNIP) | ● | ● |
| Call Rejection | ● | ● |
| DTMF dialing during call | ● | ● |
| 3-Party Conferencing | ● | ● |
| Call Transfer | ● | ● |
| One touch button call Transfer | ● | - |
| Call Hold | ● | ● |
| Call Forward Unconditional / User Busy / No Answer | ● | ● |
| Call Waiting | ● | ● |
| Distinctive Ringing | ● | ● |
| Ringtone Selection | ● | ● |

*1 Business Edition C.x. Switch Vox Ver.4.0-4.5

*2 KX-TGP550 : on base unit and on cordless handset. KX-TGP500 : on cordless handset.

KX-TGP500



KX-TGP550

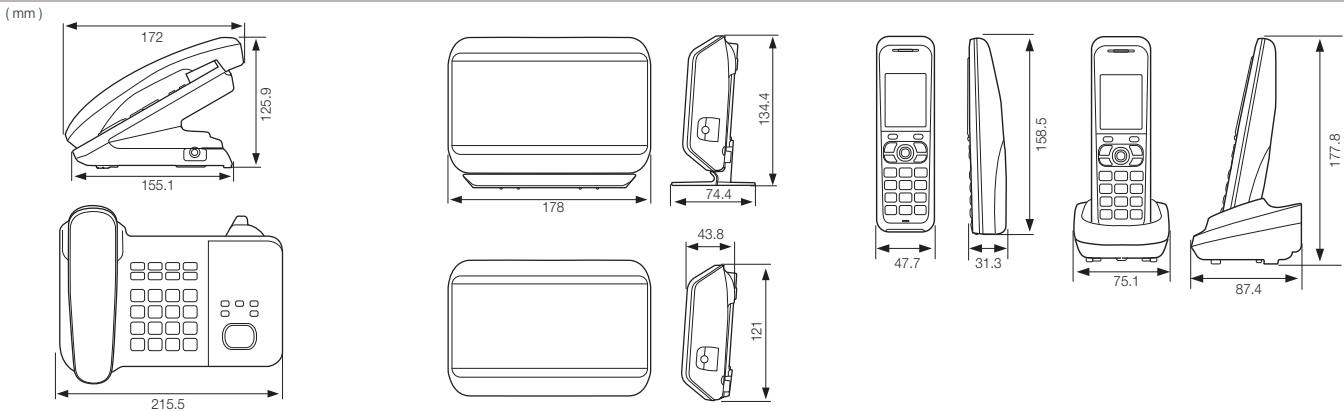


KX-TPA50



All photos are US models.

Dimensions



| | | | US model | Europe model |
|----------------------|-----------|-----------|---|---|
| Power source | | | 120 V AC, 60 Hz | 220-240 V AC, 50 Hz |
| Power consumption | Base unit | KX-TGP500 | Standby: Approx. 1.3 W Maximum: Approx. 1.9 W | Standby: Approx. 1.3 W Maximum: Approx. 2.5 W |
| | | KX-TGP550 | Standby: Approx. 2.1 W Maximum: Approx. 3.6 W | Standby: Approx. 2.3 W Maximum: Approx. 4.2 W |
| | Charger | | Standby: Approx. 0.1 W Maximum: Approx. 2.6 W | Standby: Approx. 0.1 W Maximum: Approx. 2.6 W |
| Operating conditions | | | 0 °C - 40 °C (32 °F - 104 °F) 20 % - 80 % relative air humidity (dry) | 0 °C - 40 °C (32 °F - 104 °F) 20 % - 80 % relative air humidity (dry) |

Panasonic

<http://panasonic.net/pcc/products/sipphone/>

KX-TGP1008-LT

All pictures simulated.

Design and specifications are subject to change without notice.