

# A500 BRI

► INSTALLATION MANUAL



**SANGOMA**

Thank you for purchasing the Sangoma A500 BRI card!  
Please follow these instructions to begin using your new card.

## ► 1. INSTALL YOUR PBX SOFTWARE

### Install your choice of supported software.

(e.g., Asterisk®, FreeSWITCH, Yate, CallWeaver, Netborder™, ResponsePoint™, etc.)

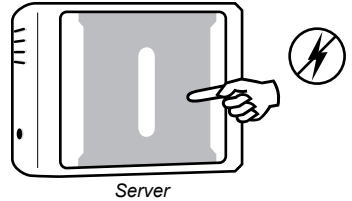
See the list of compatible software at:

[http://www.sangoma.com/products\\_and\\_solutions/compatible\\_software](http://www.sangoma.com/products_and_solutions/compatible_software)

## ► 2. INSTALL YOUR HARDWARE

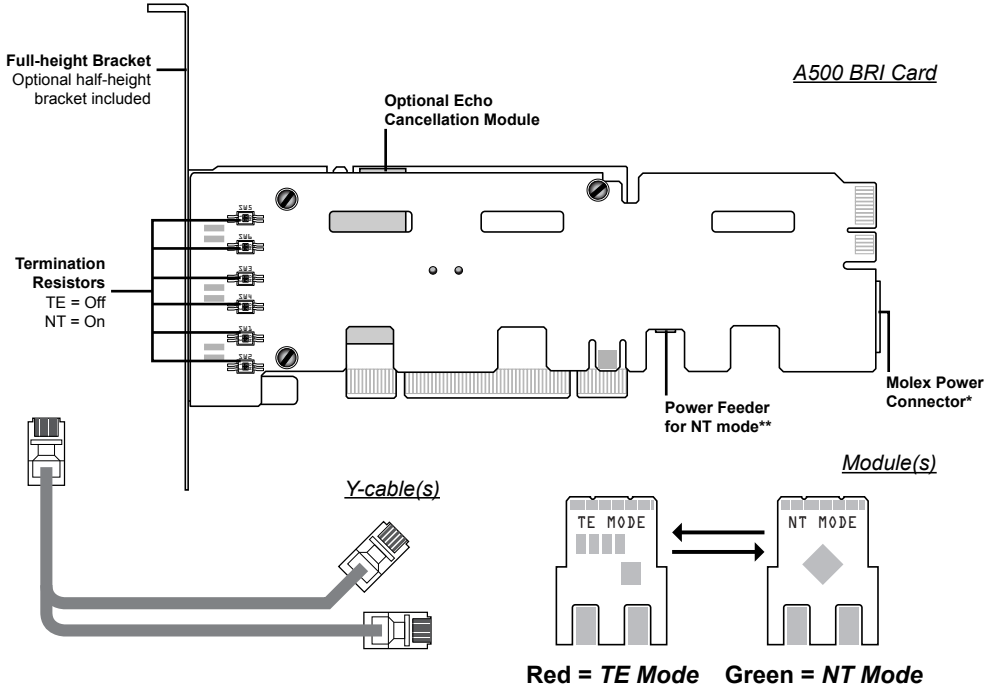
### A) Ensure you are grounded.

(i.e., Touch unpainted metal to avoid destroying a computer with electrostatic discharge, work on non-carpeted areas, etc.)



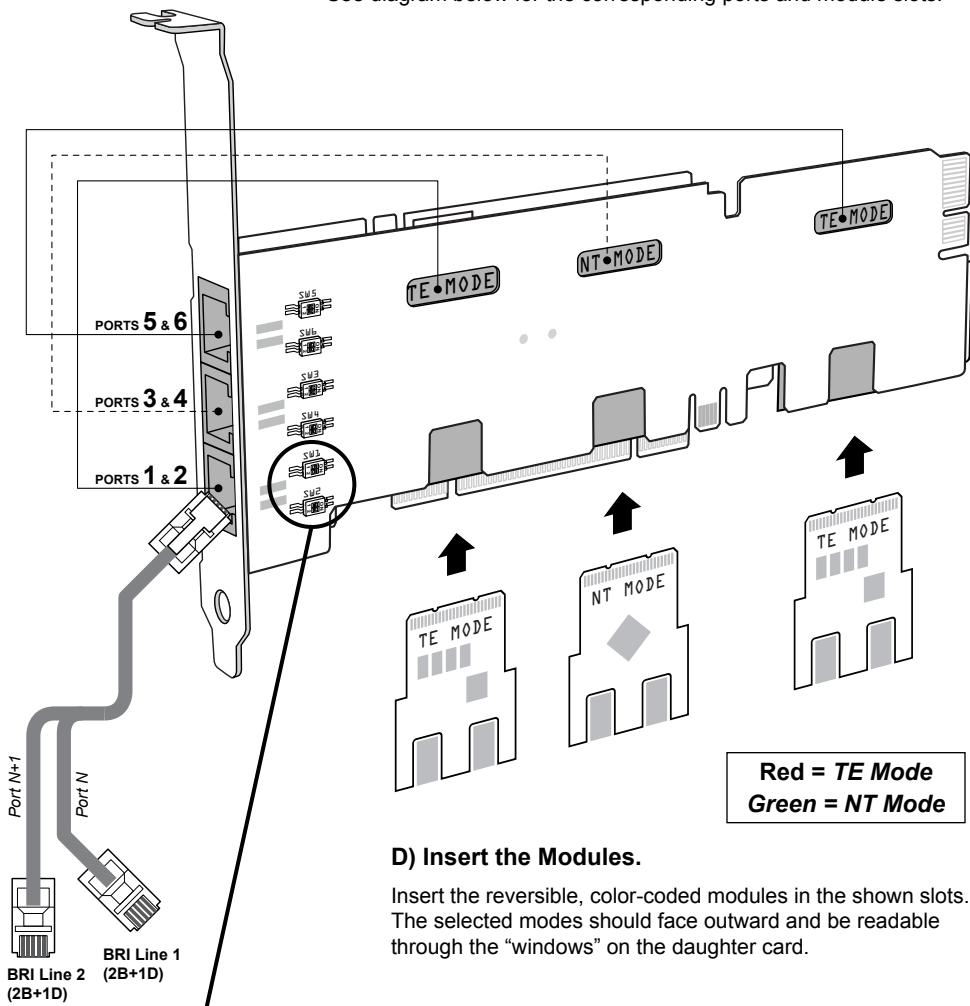
### B) Carefully remove card and components from packaging.

Additional cards and components may be purchased separately.



**C) Determine which ports you wish to run in TE Mode or NT Mode.**

See diagram below for the corresponding ports and module slots.



**D) Insert the Modules.**

Insert the reversible, color-coded modules in the shown slots. The selected modes should face outward and be readable through the "windows" on the daughter card.

**E) Set Termination Resistors.** (Use a paperclip or pen.)

When running in **TE mode**, ensure both termination resistors that correspond to the module are set to **OFF**. (See SW1 in diagram.)

When running in **NT mode**, ensure both termination resistors that correspond to the module are set to **ON**. (See SW2 in diagram.)

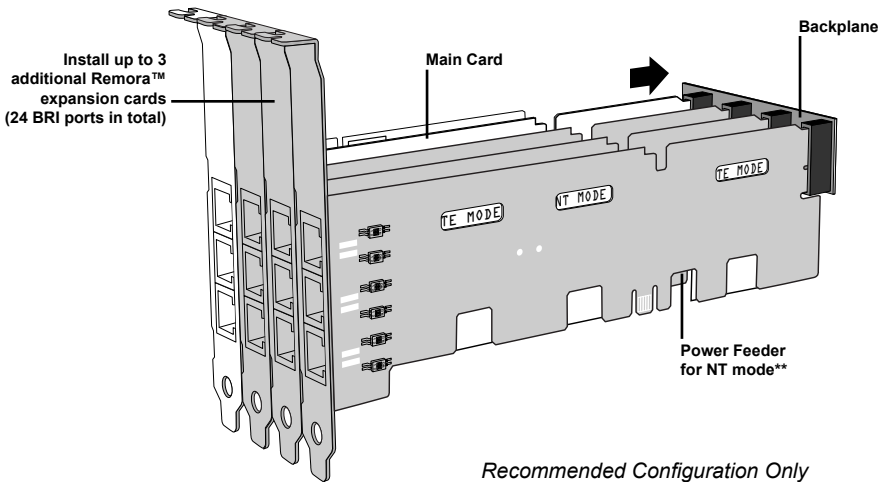
You must switch all termination resistors that correspond to each module.

## ► OPTIONAL – INSTALL UP TO 3 REMORA™ EXPANSION CARDS

### Attach additional Remora card(s) using a backplane

It is ideal to put the Remora(s) to the right of the main card, so that the main card always contains port 1. However, if space is a concern, either side is appropriate.

The lowest number port on the backplane corresponds to port number 1 in the stack. (e.g., JP6 on a 4-connector backplane.)

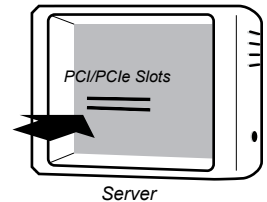


\* If using one or more Remora daughter cards, you must attach a Molex Power Connector from your computer's power supply unit to the A500 main card (the socket is located at the rear on the right end of the card below the backplane).

\*\* If you plan to use BRI phones, you must also connect a standard power supply to the Power Feeder on the corresponding Remora card(s).

### F) Insert the card into an open PCI or PCIe slot in server.

Fasten PCI bracket to chassis.



## ► 3. INSTALL THE DRIVERS (WANPIPE® CD)

Visit [wiki.sangoma.com](http://wiki.sangoma.com) for the latest drivers and instructions.

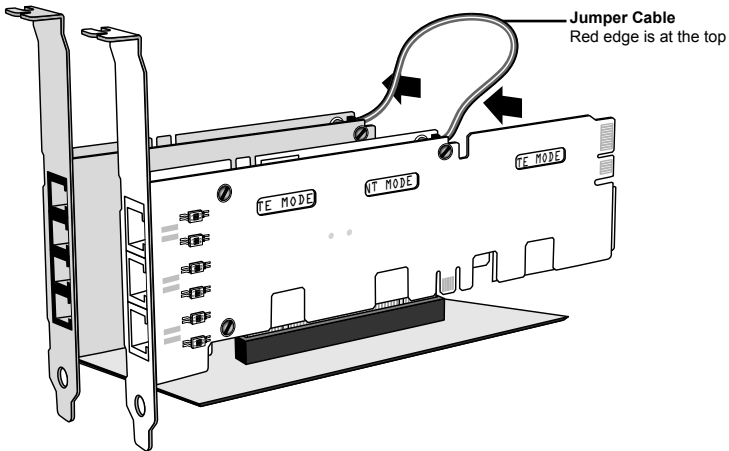
**You're done! Enjoy your new card.**

## ► SYNCHRONIZE FOR FAX (PATENT PENDING)

### Your A500 Card is fax synchronization ready.

Send the clock signal from the A500 BRI card to a Sangoma analog card via a simple two-wire jumper cable (each sold separately).

Plug the cable into the board jumper pins with the RED edge at the top.



If the A500 card is the clocking source, then a hardware echo canceller is mandatory. For more information, please go to [wiki.sangoma.com/t1e1analogfaxing](http://wiki.sangoma.com/t1e1analogfaxing)

## ► BOOT CARD WITH FIRMWARE RECOVERY JUMPER SET

All A-Series cards contain Crash-proof Field Upgradable Firmware. This means your A500 card has TWO (2) Firmware flash devices.

During card flashing, the new firmware is stored into the primary flash device. If the machine crashes during card flashing and causes the primary flash device to become corrupted, the secondary flash device can be selected to boot the card. This will allow you to re-flash the primary device again.

In order to select the secondary flash device:

1. Shut down the machine and take out the A500 card.
2. Enter firmware recovery mode by connecting the two jumper pins on the upper rear of the card. (See diagram above. Fax synchronization uses the same jumper pins.)
3. Restart the machine with firmware recovery jumper set.
4. Proceed to re-flash the card.
5. Once re-flashing is completed, shut down the machine and remove jumper.
6. Restart the machine with new card firmware.

If you are unsure of how to upgrade your firmware/flash your card, detailed instructions are provided on [wiki.sangoma.com](http://wiki.sangoma.com).

## ► LIFETIME WARRANTY

**New Sangoma A-Series hardware comes with a lifetime warranty for replacement and repair from the date of purchase.**

This includes a no-questions-asked 30-day money back guarantee, Sangoma's renowned free technical support, and free replacement in the unlikely event of a defect.

**IMPORTANT** – To qualify for the lifetime warranty, the end user must:

- Register this product online at: <http://www.sangoma.com/warranty/register/>
- Be able to prove point of purchase. To qualify for Lifetime Warranty protection, the product must have been purchased from an Empowered by Sangoma partner.



## CONTACT US

INTERNATIONAL	<b>+1 905 474 1990</b>	EMAIL	<b>techdesk@sangoma.com</b>
TOLL FREE IN N. AMERICA	<b>1 800 388 2475</b>	WIKI	<b>wiki.sangoma.com</b>

*Let us know whether this manual was helpful – your feedback is appreciated!*