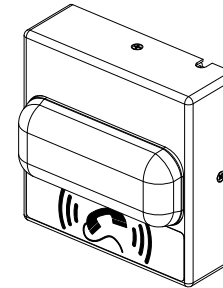


**CyberData** Installation Quick Reference  
The IP Endpoint Company

# SIP Strobe

## SiP Compliant

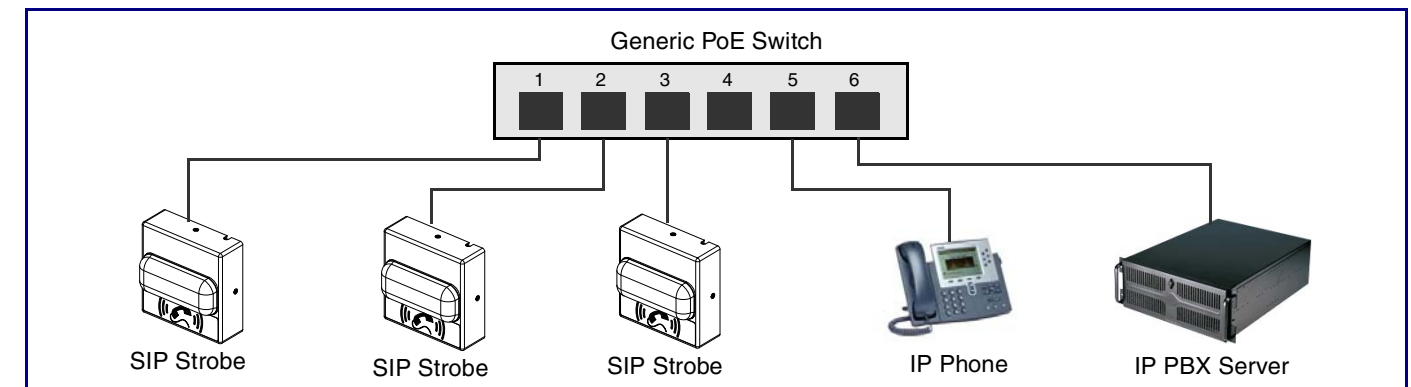
### 011087



Parameter	Factory Default Setting
IP Addressing	DHCP
IP Address <sup>a</sup>	10.10.10.10
Web Access Username	admin
Web Access Password	admin
Subnet Mask <sup>a</sup>	255.0.0.0
Default Gateway <sup>a</sup>	10.0.0.1

a. Default if there is not a DHCP server present.

### Typical System Installation



### Getting Started

- Download the *SIP Strobe Operations Guide* PDF file, from the SIP Strobe product page at: <http://www.cyberdata.net/products/voip/digitalanalog/strobe/docs.html>
- Create a plan for the locations of your SIP Strobes.
- Prior to installation, consult local building and electrical code requirements.
- **WARNING: This enclosure is not rated for any AC voltages!**

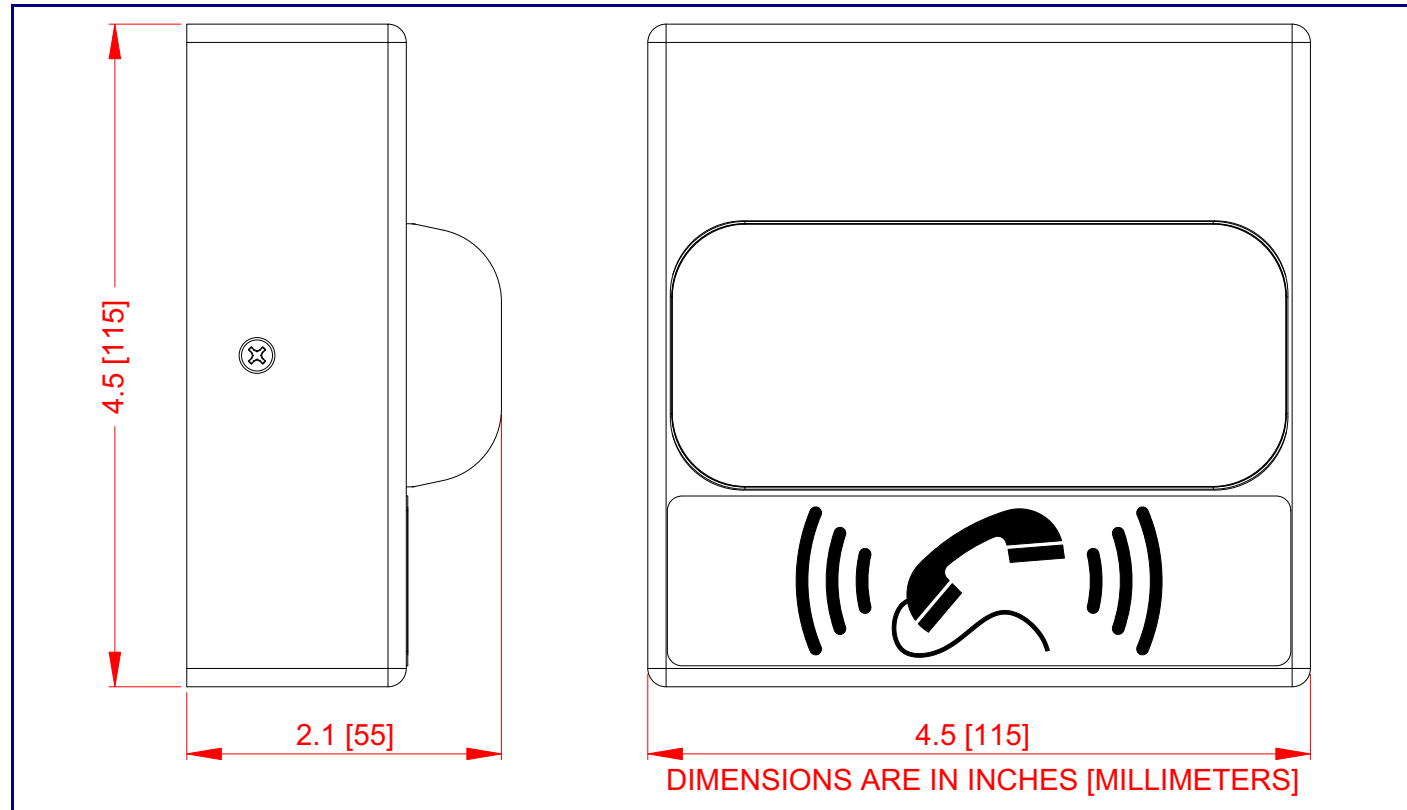
### Contacting CyberData

<p><b>Corporate Headquarters</b></p> <p>CyberData Corporation 3 Justin Court Monterey, CA 93940, USA</p> <p>Phone: 831-373-2601 Fax: 831-373-4193 www.CyberData.net</p>	<p>Sales: (831) 373-2601 ext. 334 Support: 831-373-2601 ext. 333 Web: <a href="http://www.cyberdata.net/support/contactsupportvoip.html">http://www.cyberdata.net/support/contactsupportvoip.html</a> RMA Dept: (831) 373-2601 ext. 136 Email: <a href="mailto:RMA@CyberData.net">RMA@CyberData.net</a> RMA Status: <a href="http://www.cyberdata.net/support/rmastatus.html">http://www.cyberdata.net/support/rmastatus.html</a></p> <p>Warranty and RMA information is available at the following website: <a href="http://www.cyberdata.net/support/warranty/index.html">http://www.cyberdata.net/support/warranty/index.html</a></p>
---	--

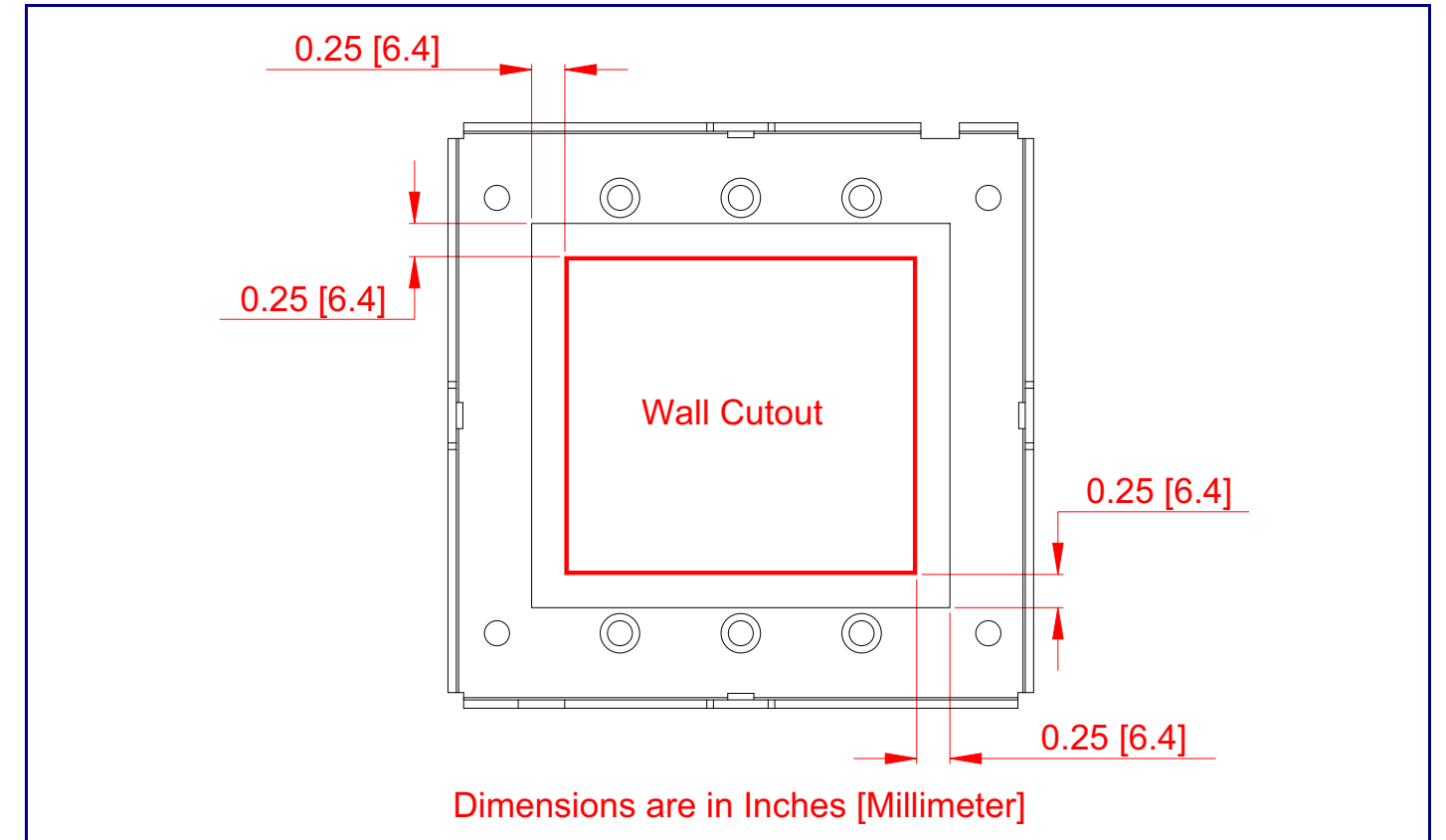
### SIP Strobe Parts

<p><b>(1) SIP Strobe Assembly</b></p>	<p><b>(1) Wall Mounting Kit</b></p> <p>(4) #6 x 1.5 inches Sheet Metal Screw</p> <p>(4) #6 Ribbed Plastic Anchor</p>	<p><b>(1) Gang Box Mounting Kit</b></p> <p>(4) #6-32 x 0.625-inch Flat-Head Machine Screw</p>
---------------------------------------	--	---

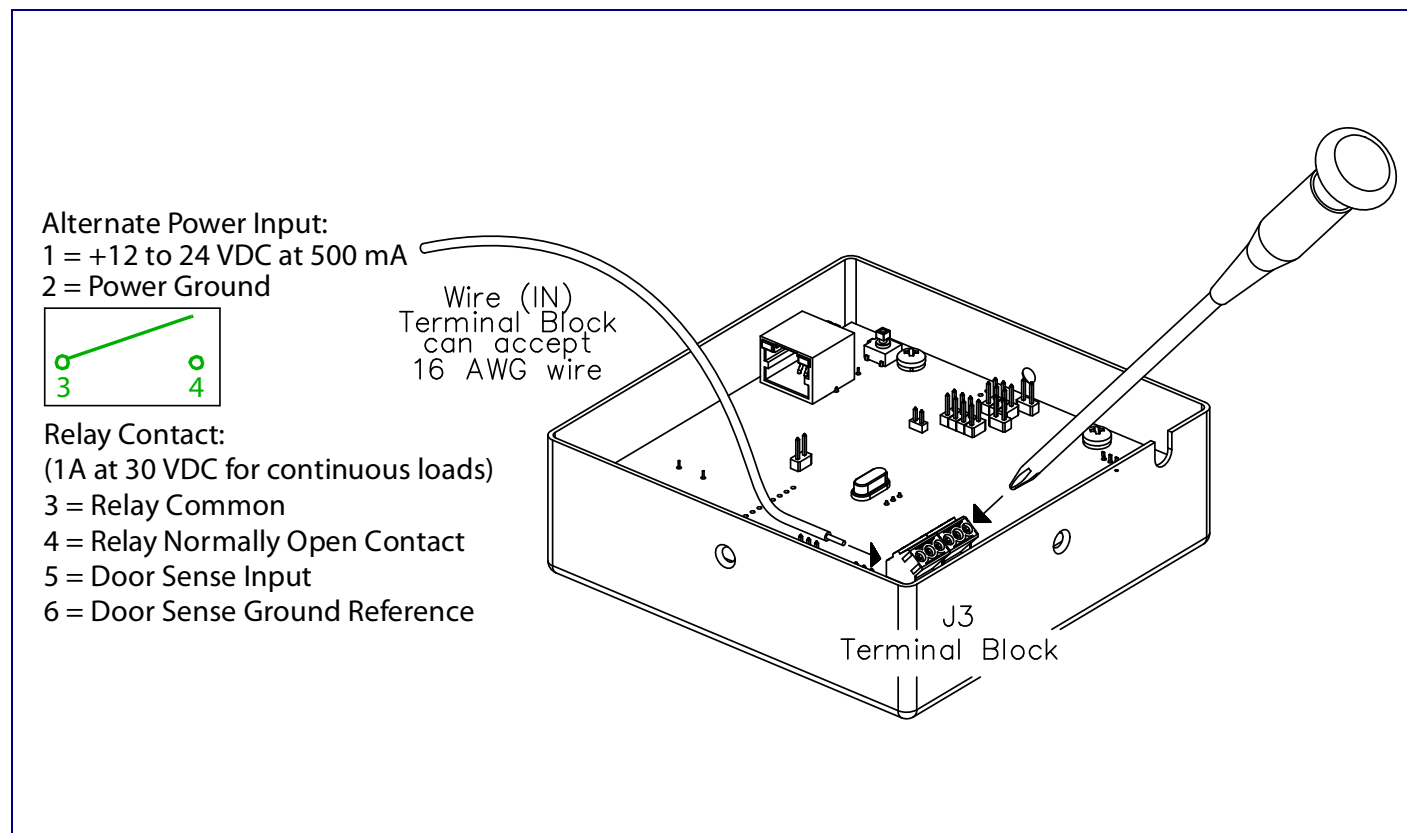
## Dimensions



## Maximum Recommended Wall Cutout Dimensions



## Terminal Block Connections



## Mounting Options

